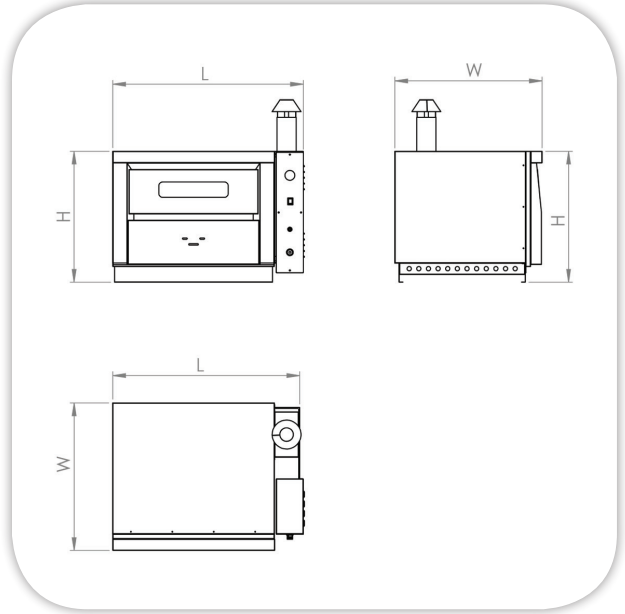
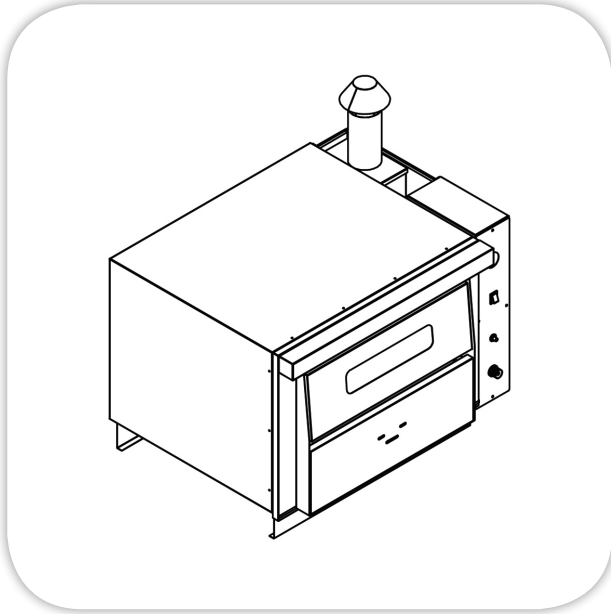


GAS DECK PIZZA OVEN (VENICE PG)

Item:



SPECIFICATIONS:

Body: Heavy duty steel construction, thermal Painted steel interior & exterior except stainless steel front, Door opening with thermal glass window.

Chamber: height 170mm, floor surface with thermal fire stone bricks, dimension 620×620×170mm, capacity 4 pizza diameter 300mm.

Control: Thermostatically controlled (100:350°C), equipped with automatic shut-off gas valve, ignition spark & safety pilot.

Available up-on request: stand (Painted steel or stainless steel).

TECHNICAL DATA:

MODEL	Dimensions (mm)			Gas Power (K.W) _{gas}	Net Weight (KG)
	L	W	H		
Venice-PG (62×62)G Gas Single Deck pizza Oven	990	765	680	16.8	

Masria, In Line with its policy to continually improve its quality, reserves the right to change specs without notice.

+202 44812326/8

masria@masria.com

masriagroup

+201 001609002/10

www.masria.com

masriagr

