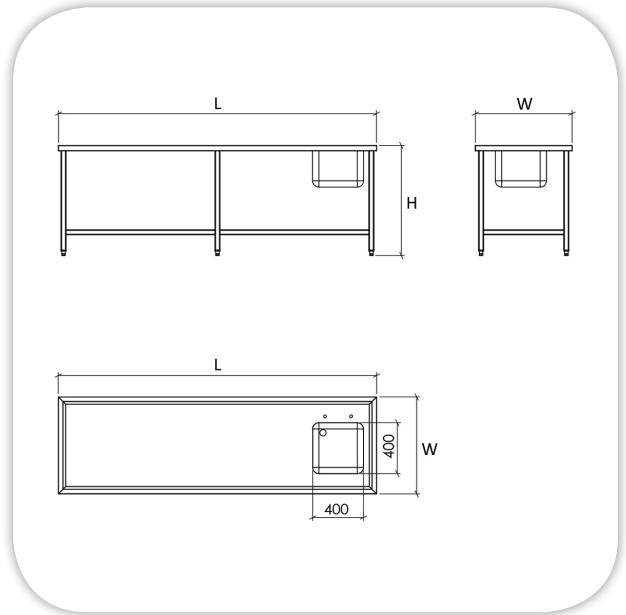
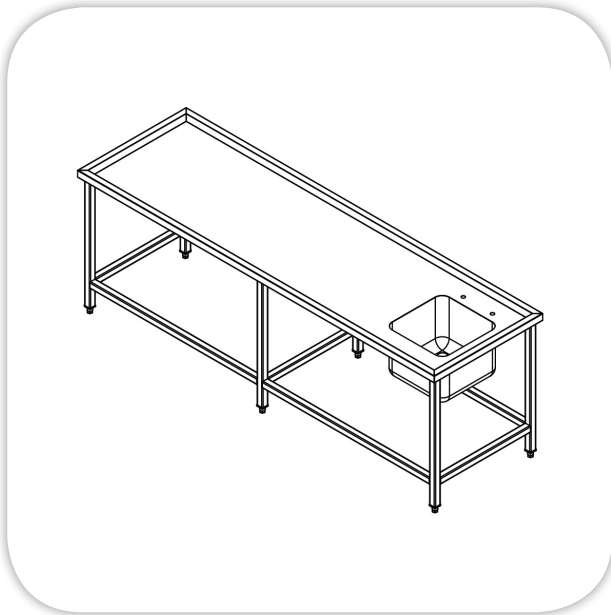


MORTUARY WASHING TABLE

Item:



SPECIFICATIONS:

Body: stainless steel construction.

Drain board: stainless steel, 1.5mm thickness, reinforcement and sound deadening material at bottom, incline in the direction of bowl.

Bowl: stainless steel, deep drawn, dimension 400×400×300mm.

Legs: stainless steel (6) legs dimensions 40×40mm with adjustable leveling feet, reinforced by tie rode (30×30mm).

Up-on request:-

Rinsing shower with faucet sink: heavy duty, high quality, hose length 2000mm.

Drainer: PVC drainer.

TECHNICAL DATA:

MODEL	Dimensions (mm)			Net Weight (KG)
	L	W	H	
MMT 01-01 Mortuary washing table	2500	750	850	

Masria, In Line with its policy to continually improve its quality, reserves the right to change specs without notice.

+202 44812326/8

masria@masria.com

masriagroup

+201 001609002/10

www.masria.com

masriagr

