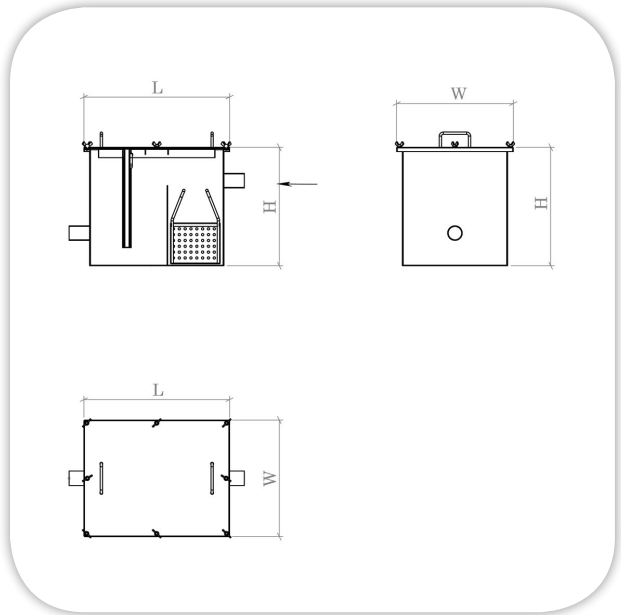
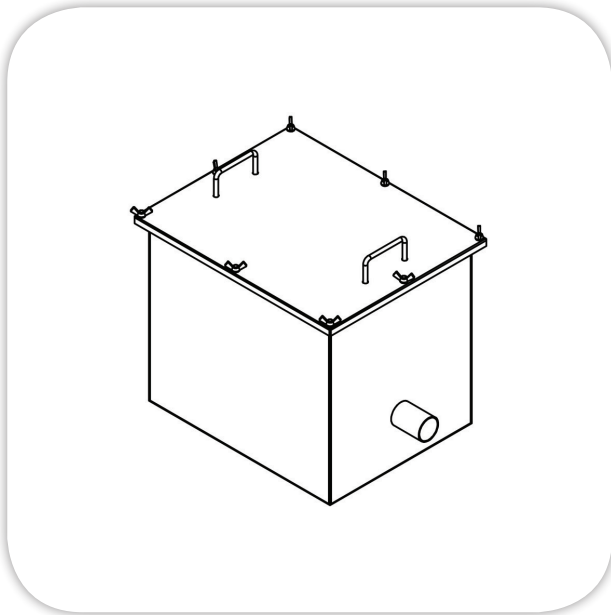


GREASE INTERCEPTOR

Item:



MFP



SPECIFICATIONS:

Body: Stainless Steel Construction

MFPO6-06: Body & Cover 1.5 mm thickness, Partition & perforated basket, 1.0 mm thickness

MFPP06-06: Body & Cover 3.0 mm thickness, Partition & perforated basket, 1.5 mm thickness
6" Inlet & outlet diameter (diameter & location to be fixed with order), (installation by others)

TECHNICAL DATA:

MODEL	Dimensions (mm)		
	L	W	H
MFPO6-06	400	700	500
MFPP06-06	1200	600	700
	1000	1000	1000

Masria, In Line with its policy to continually improve its quality, reserves the right to change specs without notice.

+202 44812326/8

masria@masria.com

masriagroup

+201 001609002/10

www.masria.com

masriagr

