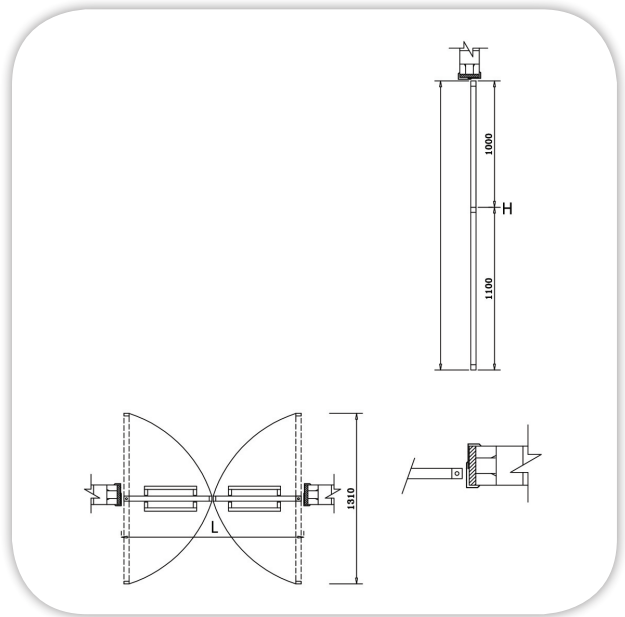


STAINLESS STEEL DOORS (SWINGING DOOR)

Item:



ISO 9001



SPECIFICATIONS:

Frame: Stainless Steel (40x40mm), Safety Glass Window (8 mm thickness) in the upper half

Door Section: Steel Construction, Stainless Steel cladding, insulated, the lower half is insulated by polyurethane injected, 40 mm thickness, 40 kg/m³ density, Outer and inner cladding stainless steel 1.00 mm thick, 1250 mm height

Protected with two Checkered Aluminum plates 2.00 mm thick, 150 mm height.

Equipped with stainless steel handle one at each side and floor mounted door closer, Lock provided by client

Fixed Frame: Wooden, section 2"x6", clear width 100 cm, (by civil contractor) covered with stainless steel sheet 1.5 mm thickness

TECHNICAL DATA:

MODEL	Dimensions (mm)	
	L	H
MFP-SD-1S Single Door	1000	2200
MFP-SD-2S Double Door	1400	2200

Masria, In Line with its policy to continually improve its quality, reserves the right to change specs without notice.

+202 44812326/8

masria@masria.com

masriagroup

+201 001609002/10

www.masria.com

masriagr

