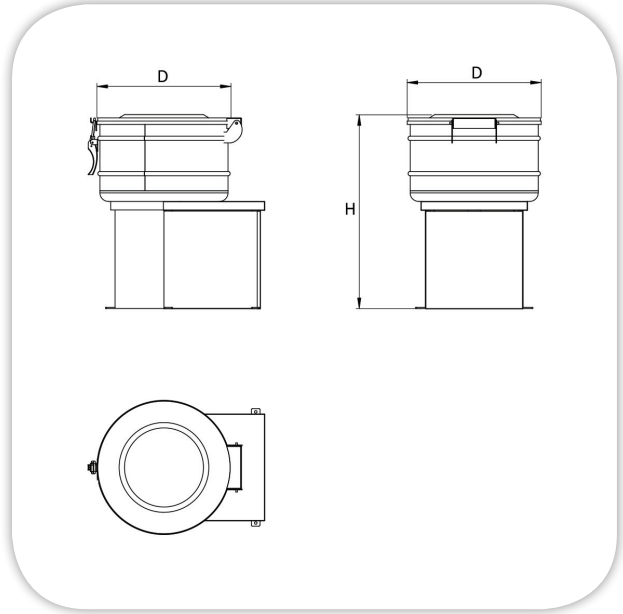
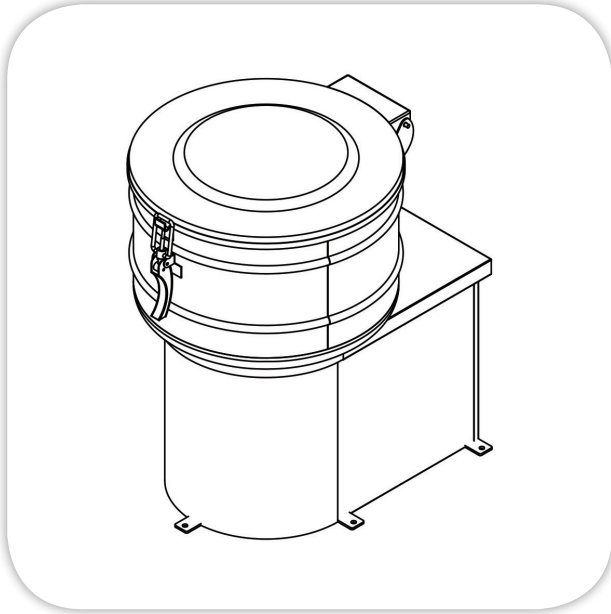


VEGETABLE DRYER

Item:
.....



MFP



SPECIFICATIONS:

Body: Stainless Steel Construction
61 cm diameter X 100 cm height
Basket capacity: 50 lt.
Drying speed: 550 r.p.m
Electric Source: kW/380V/3ph/50Hz

TECHNICAL DATA:

MODEL	Dimensions (mm)		Electric Power	Basket Capacity
	D	H		
VD50	610	900	1.2 kW	50 lt

Masria, In Line with its policy to continually improve its quality, reserves the right to change specs without notice.

+202 44812326/8

masria@masria.com

masriagroup

+201 001609002/10

www.masria.com

masriagr

