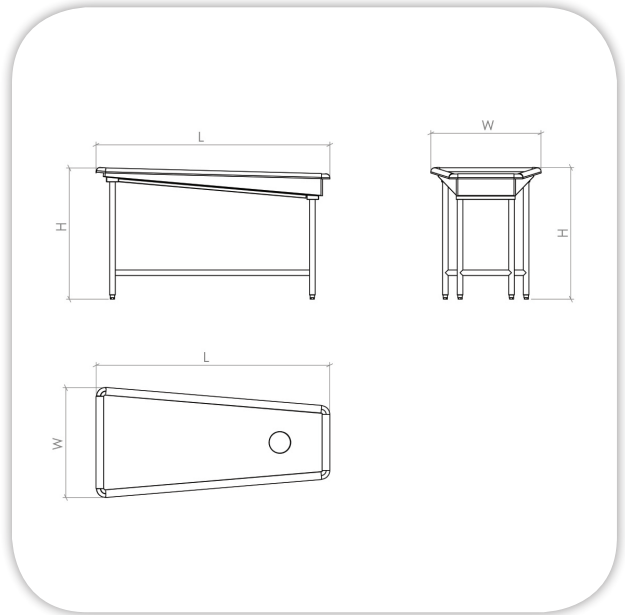


GARBAGE SORTING TABLE

Item:



SPECIFICATIONS:

Body: Stainless steel (304) construction.

Top: Stainless steel, 1.5 mm thickness, inclined towards the back, garbage shut at back, Diameter 140 mm, with backsplash and side splash, height 150mm, reinforcement by stainless steel sheet and sound deadening material at Bottom.

Legs: Stainless Steel, (4)Legs (diameter 38mm), or (Dimensions 40 x 40mm with added (S) on the model), with adjustable leveling feet.

TECHNICAL DATA:

MODEL	Dimensions (mm)		
	L	W	H
MFP01-01-G	1500	500/750	850

Masria, In Line with its policy to continually improve its quality, reserves the right to change specs without notice.

+202 44812326/8

masria@masria.com

masriagroup

+201 001609002/10

www.masria.com

masriagr

