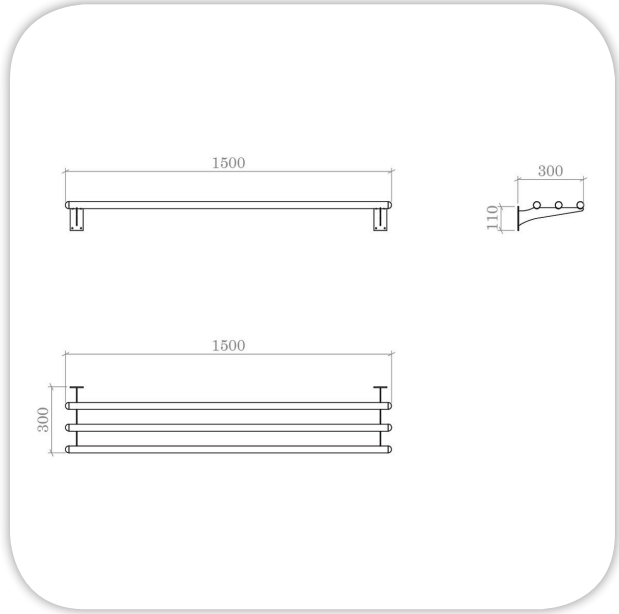
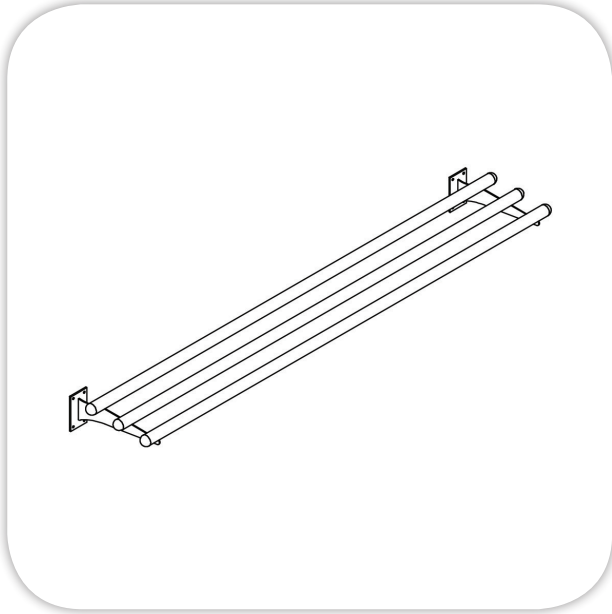


TRAY SLIDE

Item:
.....



MFP



SPECIFICATIONS:

Body: Stainless Steel (304) Construction

TECHNICAL DATA:

MODEL	Dimensions (mm)		
	L	W	H
MFP04-10	2500	300	110
	1400	300	110
	1500	300	110

Masria, In Line with its policy to continually improve its quality, reserves the right to change specs without notice.

+202 44812326/8

masria@masria.com

masriagroup

+201 001609002/10

www.masria.com

masriagr

