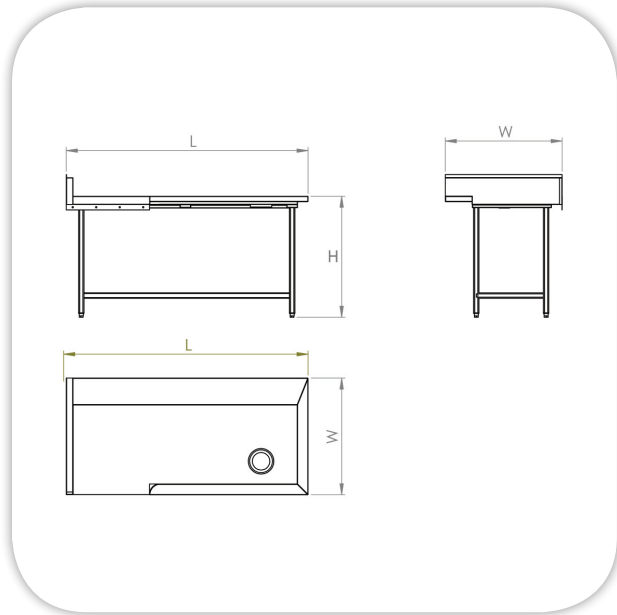
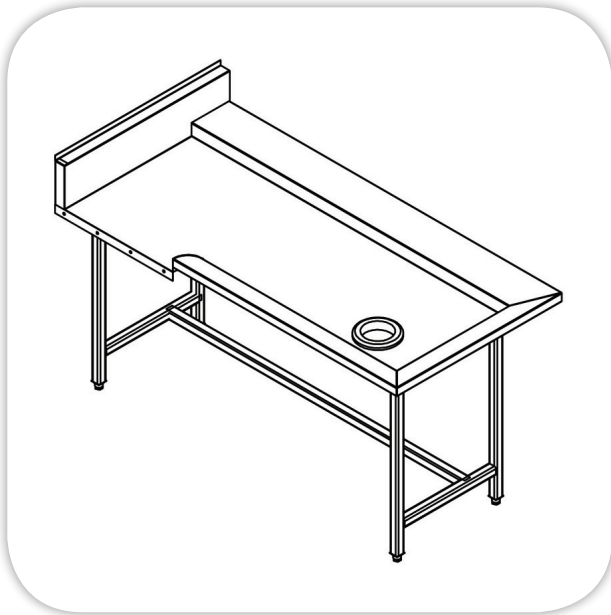


SOILED DISH TABLE

Item:



SPECIFICATIONS:

Body: Stainless Steel (304) Construction
Top: Stainless Steel (304), Steel reinforcement and sound deadening material at bottom, top thickness 1.5 mm, on top at right hand side one (1) Rubber Chute, diameter 140 mm

Legs: Stainless Steel, (4) Legs (diameter 38 mm), or (Dimensions 40 x 40mm with added (S) on the model), with adjustable leveling feet.

TECHNICAL DATA:

MODEL	Dimensions (mm)		
	L	W	H
MFP01-11/150	1500	980	900
MFP01-11/180	1800	980	900
MFP01-11/235	2350	980	900
MFP01-11/285	2850	980	900

Masria, In Line with its policy to continually improve its quality, reserves the right to change specs without notice.

+202 44812326/8

masria@masria.com

masriagroup

+201 001609002/10

www.masria.com

masriagr

