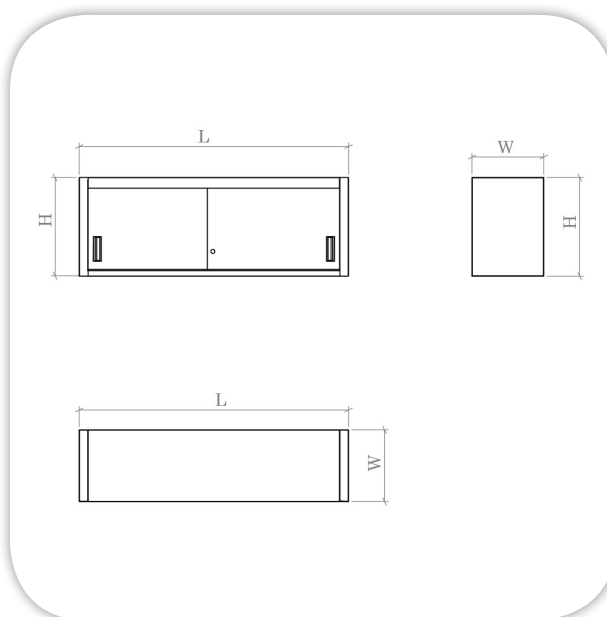
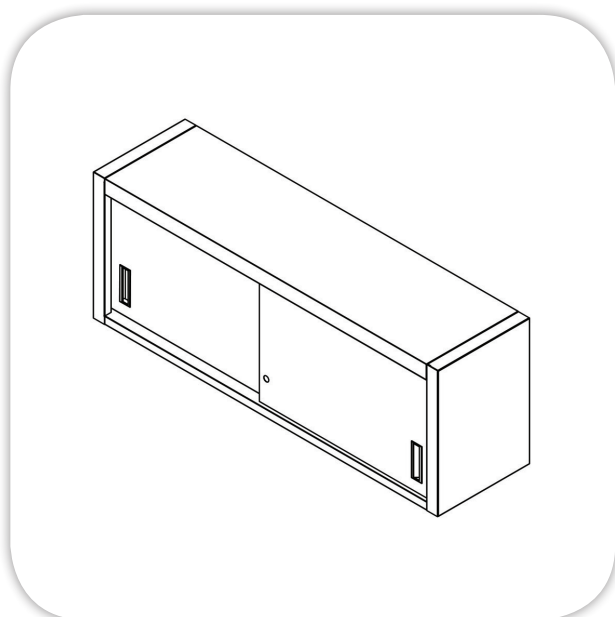


WALL CUPBOARD (W/SLIDING DOORS)

Item:



ISO 9001



SPECIFICATIONS:

Body: Stainless Steel (304) Thickness 1.0 mm

Sliding Doors: two Stainless Steel Sliding Doors.

Shelves: Stainless Steel, one middle shelf.

Available upon request: Door lock.

TECHNICAL DATA:

MODEL	Dimensions (mm)		
	L	W	H
MFP03-07/200	2000	400	550
MFP03-07/188	1880	400	550
MFP03-07/150	1500	400	550
MFP03-07/138	1380	400	550
MFP03-07/112	1120	400	550
MFP03-07/100	1000	400	550

Masria, In Line with its policy to continually improve its quality, reserves the right to change specs without notice.

+202 44812326/8

masria@masria.com

masriagroup

+201 001609002/10

www.masria.com

masriagr

