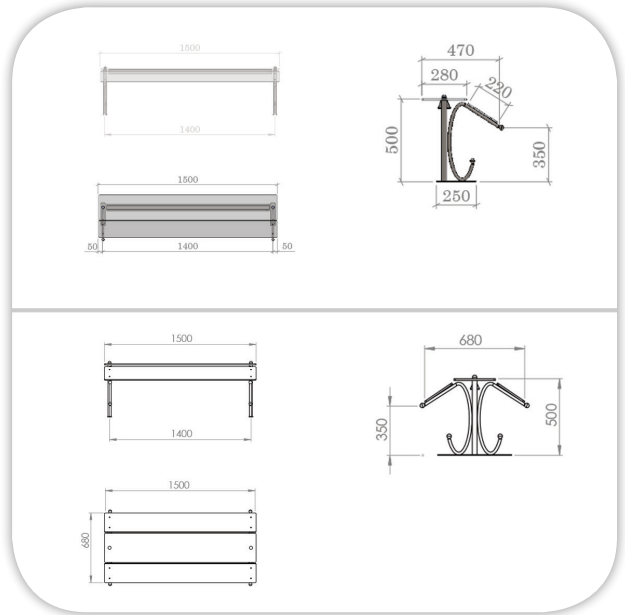
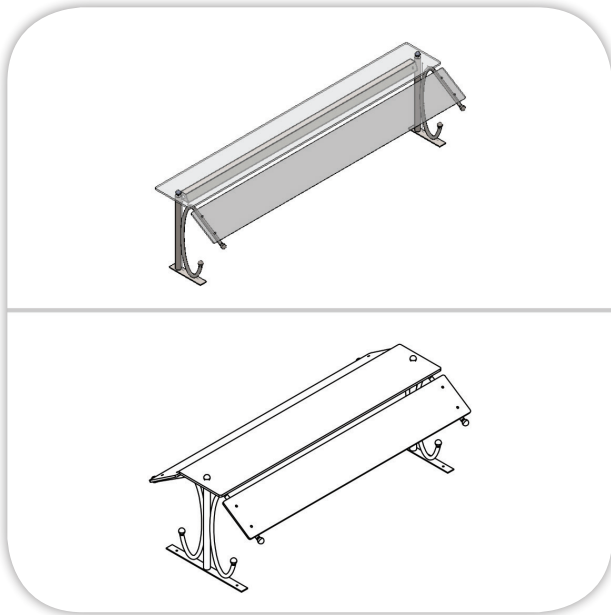


DECORATIVE BUFFETS SNEEZE GLASS - KING MODEL

Item:



MFP



SPECIFICATIONS:

Frame: Stainless steel construction, two posts diameter 32 mm, height 500 mm & at fronts of posts tube diameter 19 mm, C shape.

Glass: Securit glass, one (1), shelf width 280 mm, Length as indicated in the table & Front, sneeze glass width 220 mm, with length of the shelf from one direction for single models & from two directions for island Models.

Lighting: LED lighting With ON/OFF switch for Neutral (N) Models, Electric Power 5 Watt/Per Meter length.

Heating: Electric Heater, with ON/OFF switch for Heated (H) Models, electric Power 1000 watt/Per meter length.

TECHNICAL DATA:

MODEL	Available length (mm)			
	900	1200	1600	2000
MFP04-08-KING-N-S	900	1200	1600	2000
MFP04-08-KING-H-S	900	1200	1600	2000
MFP04-08-KING-N-D	900	1200	1600	2000
MFP04-08-KING-H-D	900	1200	1600	2000

N.B. Other lengths upon request

Masria, In Line with its policy to continually improve its quality, reserves the right to change specs without notice.

+202 44812326/8

masria@masria.com

masriagroup

+201 001609002/10

www.masria.com

masriagr

