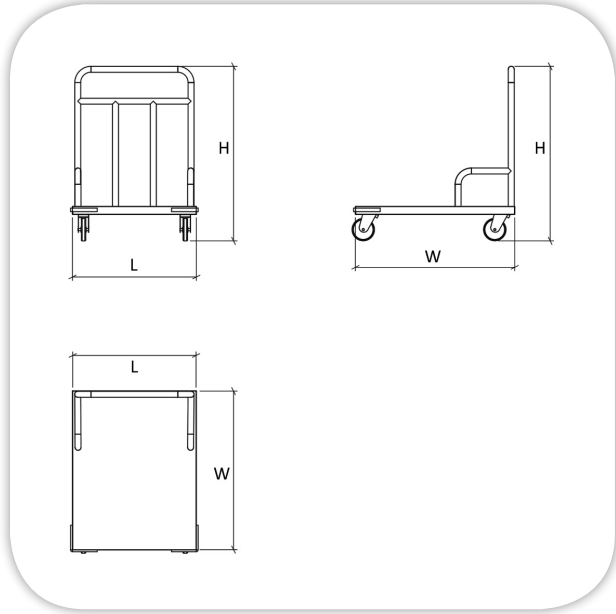
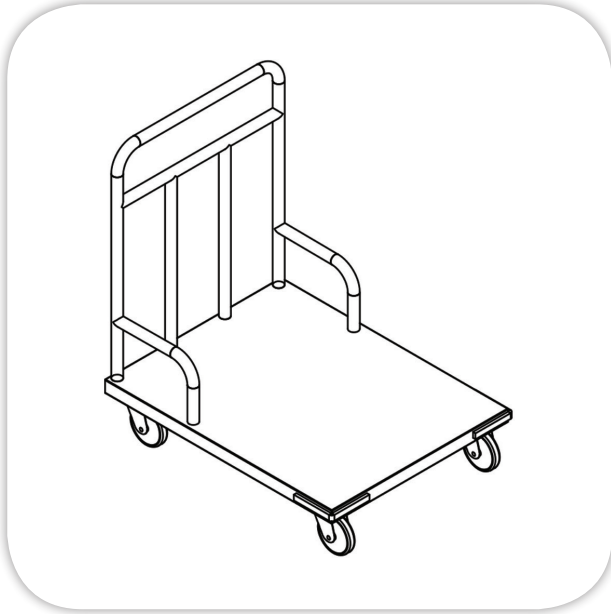


# HEAVY DUTY RECEIVING TROLLEY (GERMAN CASTERS)

Item: .....



## SPECIFICATIONS:

**Body:** Heavy Duty Steel Construction  
**Frame:** Steel angle 40x40mm

**Castors:** (4) rubber casters diameter 6",  
**German Made,** (2) fixed and (2) Mobile

## TECHNICAL DATA:

MODEL	Dimensions (mm)			Construction	platform cover	Handle
	L	W	H			
MFP05-10	700	900	1000	Stainless steel	Stainless Steel (3mm thickness)	Stainless Steel tube (32) mm diameter
MFP05-12	700	900	1000	Steel	Checkered Steel (3mm thickness)	Steel tube (32) mm diameter

Masria, In Line with its policy to continually improve its quality, reserves the right to change specs without notice.

+202 44812326/8

masria@masria.com

masriagroup

+201 001609002/10

www.masria.com

masriagr

