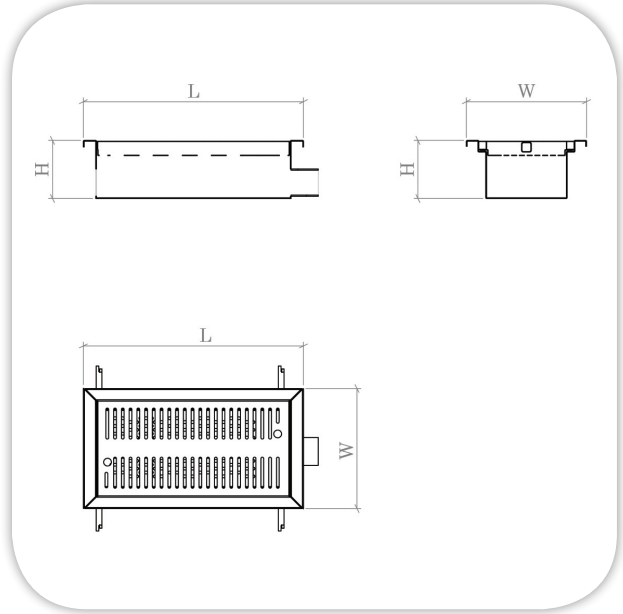
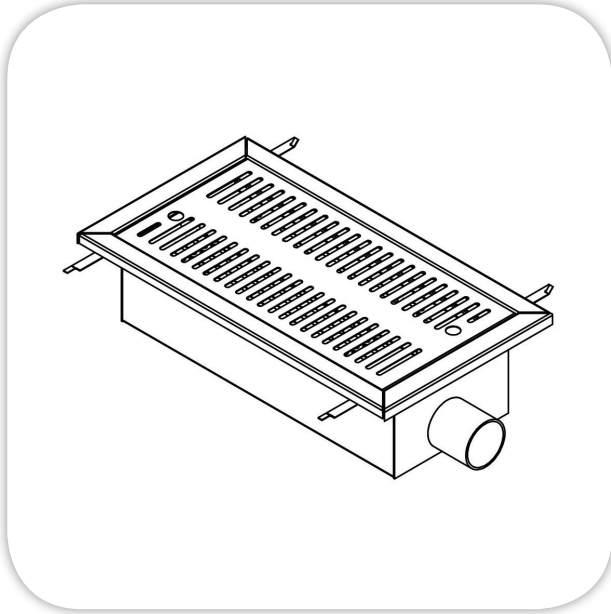


# FLOOR DRAIN TROUGH & GRATING W/STRAINER

Item: .....  
 .....



## SPECIFICATIONS:

**Body:** Stainless Steel (304) Construction, (Body, Cover, Strainer)

**Cover:** 2.0 mm thickness, flat surface, with (CNC) ellipse slotted (Diameter & location of outlet and depth to be indicated with purchase order request), (installation by others)

**Note:** Depth and outlet, (Bottom, Side) to be coordination with the site

## TECHNICAL DATA:

MODEL	Dimensions (mm)		
	L	W	H
MFP06-00-F	310	310	150
	560	310	150
	1060	310	150
	1560	310	150
	2060	310	150
	3060	310	150
	760	460	150
	560	560	150

Masria, In Line with its policy to continually improve its quality, reserves the right to change specs without notice.

+202 44812326/8

masria@masria.com

masriagroup

+201 001609002/10

www.masria.com

masriagr

