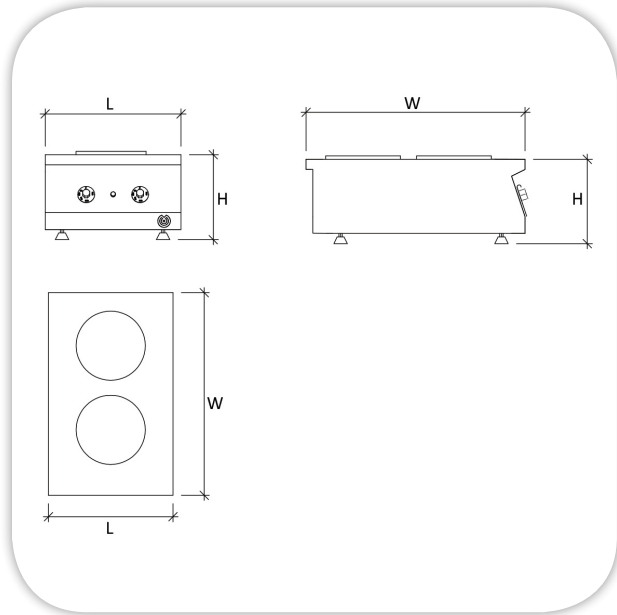
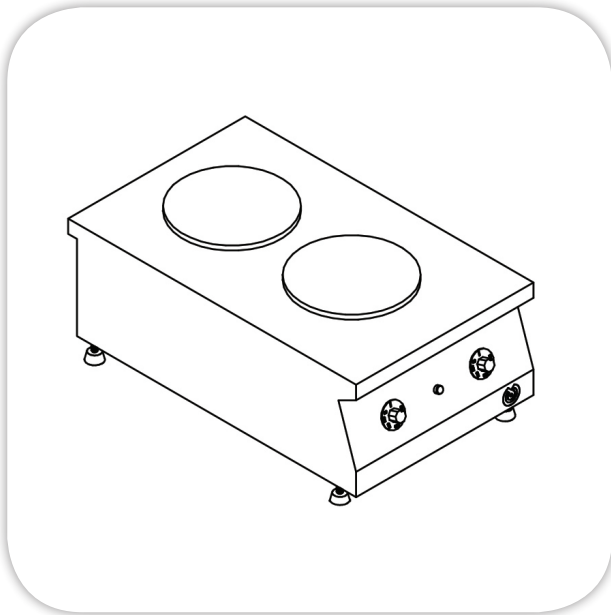


ELECTRIC SNACK COOKER - COUNTER MODEL

Item:



SPECIFICATIONS: (Counter Type)

Body: Stainless steel (304) construction, with Adjustable leveling feet.

Top: Stainless steel (304), (1.5 mm) thickness.

Hot Plate & Electric accessories: High quality, heavy duty EGO (Germany)

Electric source: 380V/3Ph/50Hz
 or 220V/1PH/50Hz

TECHNICAL DATA:

MODEL	Hot Plates	Dimensions (mm)			Electric Power (kW)	Net Weight (Kg)
		L	W	H		
MECR 01-05 Snack Electric Range, two hot plates	Two hot plates diameter (220 mm)	400	650	250	5.2	
MECR 11-05 Turkish Coffee Cooker, two hot plates	Two hot plates diameter (180 mm)	500	400	150	3.0	
MECR 12-05 Turkish Coffee Cooker, One hot plate	One hot plates diameter (180 mm)	400	300	120	1.5	

Masria, In Line with its policy to continually improve its quality, reserves the right to change specs without notice.

+202 44812326/8

masria@masria.com

masriagroup

+201 001609002/10

www.masria.com

masriagr

