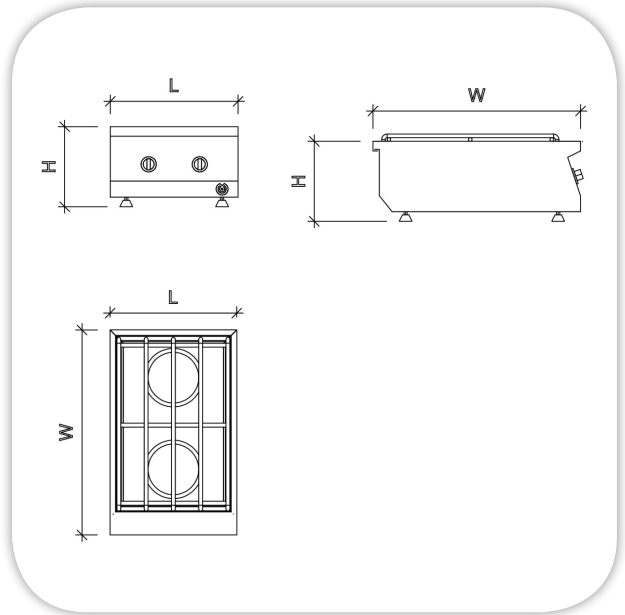
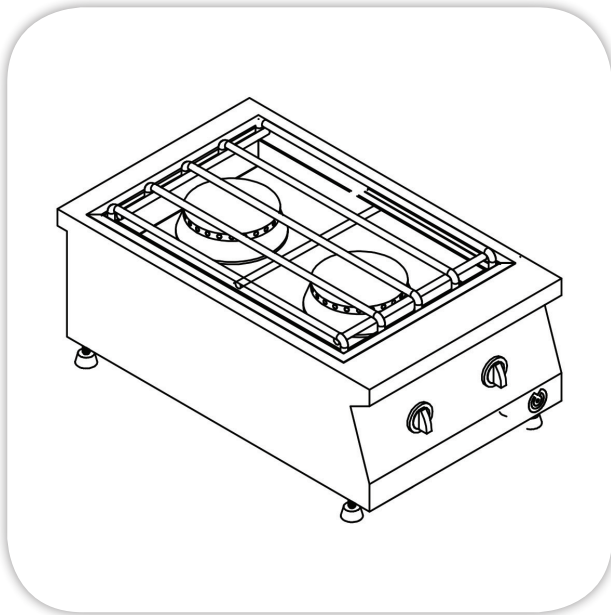


GAS SNACK COOKER - COUNTER MODEL

Item:



SPECIFICATIONS: (Counter Type)

Body: Stainless steel (304) construction, with Adjustable leveling feet.

Top: Stainless steel (304), (1.5 mm) thickness.

Burners & accessories: High quality, Medium Duty

Burner: Open burners, each equipped, with shut-off gas valve, Stainless steel graters.

TECHNICAL DATA:

MODEL	Dimensions (mm)			Gas Power (kW gas)	Net Weight (Kg)
	L	W	H		
MGC 01-05 Snack gas Range, two Open burners	400	650	250	6.4	

Masria, In Line with its policy to continually improve its quality, reserves the right to change specs without notice.

+202 44812326/8

masria@masria.com

masriagroup

+201 001609002/10

www.masria.com

masriagr

