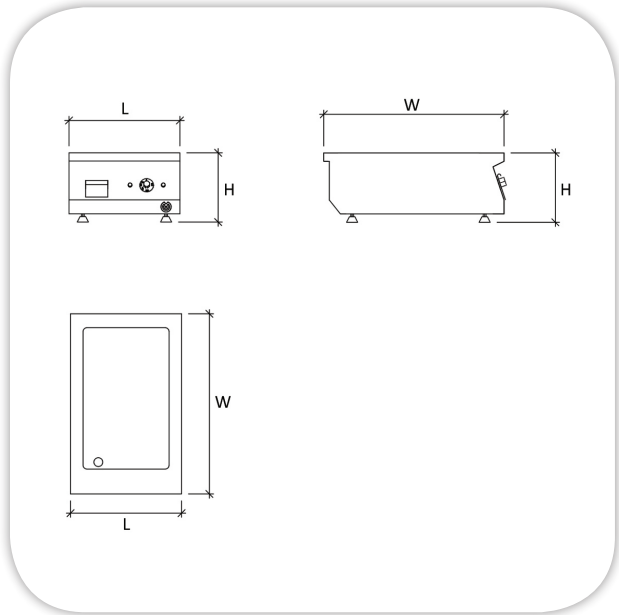
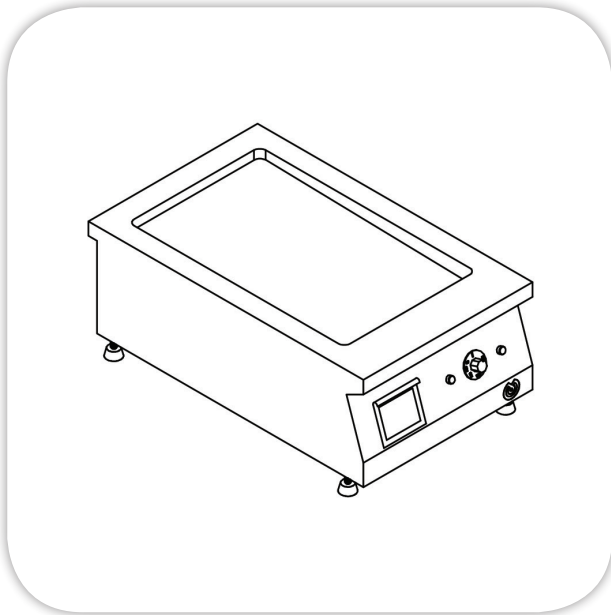


ELECTRIC SNACK FRY TOP - COUNTER MODEL

Item:



SPECIFICATIONS: (Counter Type)

Body: Stainless steel (304) construction, with adjustable leveling feet.

Fry-Top: steel top 18 mm thickness, thermostatically controlled.

Electric source: 380V/3Ph/50Hz
 or 220V/1PH/50Hz

TECHNICAL DATA:

MODEL	Dimensions (mm)			Electric Power (kW)	Net Weight (Kg)
	L	W	H		
MEC 03-05-F Snack Electric FRY TOP, smooth surface, one heated zone	400	650	250	3.5	
MEC 03-05-R Snack Electric FRY TOP, ribbed surface, one heated zone	400	650	250	3.5	

Masria, In Line with its policy to continually improve its quality, reserves the right to change specs without notice.

+202 44812326/8

masria@masria.com

masriagroup

+201 001609002/10

www.masria.com

masriagr

