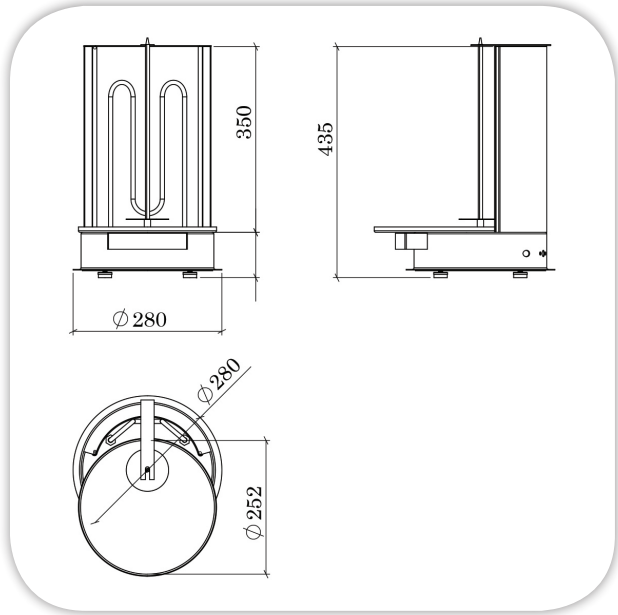
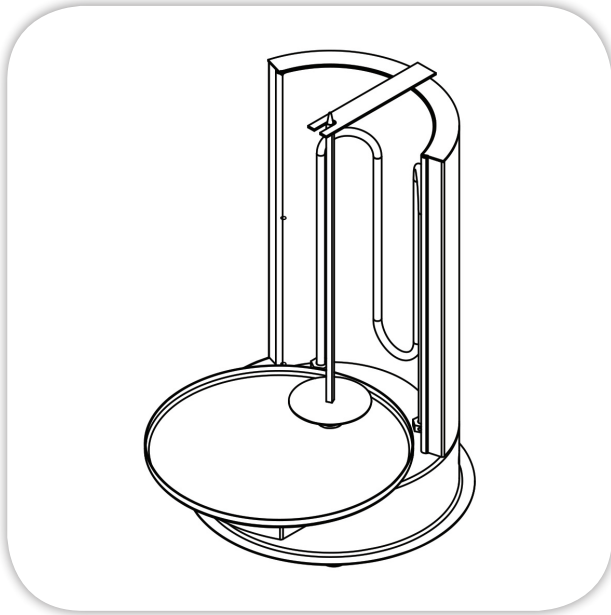


ELECTRIC SNACK SHAWERMA GRILL

Item:
.....



MFC



SPECIFICATIONS:

TECHNICAL DATA:

Masria, In Line with its policy to continually improve its quality, reserves the right to change specs without notice.

+202 44812326/8

masria@masria.com

masriagroup

+201 001609002/10

www.masria.com

masriagr

