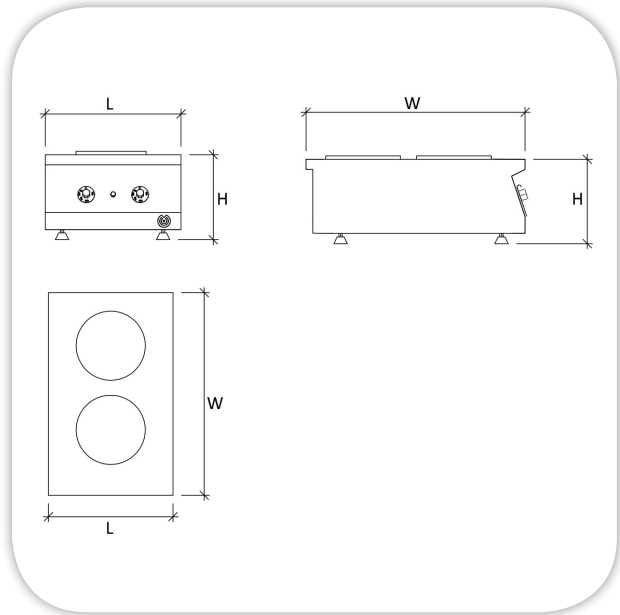
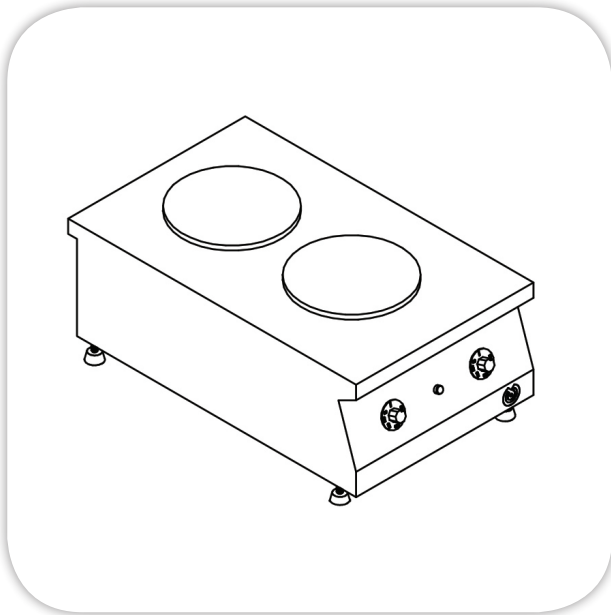


ELECTRIC SNACK COOKER - COUNTER MODEL

Item:



SPECIFICATIONS: (Counter Type)

Body: Stainless steel (304) construction, with Adjustable leveling feet.

Top: Stainless steel (304), (1.5 mm) thickness.

Hot Plate & Electric accessories: High quality, heavy duty EGO (Germany)

Electric source: 380V/3Ph/50Hz
 or 220V/1PH/50Hz

TECHNICAL DATA:

| MODEL | Hot Plates | Dimensions (mm) | | | Electric Power (kW) | Net Weight (Kg) |
|---|----------------------------------|-----------------|-----|-----|---------------------|-----------------|
| | | L | W | H | | |
| MECR 01-05 Snack Electric Range, two hot plates | Two hot plates diameter (220 mm) | 400 | 650 | 250 | 5.2 | |
| MECR 11-05 Turkish Coffee Cooker, two hot plates | Two hot plates diameter (180 mm) | 500 | 400 | 150 | 3.0 | |
| MECR 12-05 Turkish Coffee Cooker, One hot plate | One hot plates diameter (180 mm) | 400 | 300 | 120 | 1.5 | |

Masria, In Line with its policy to continually improve its quality, reserves the right to change specs without notice.

+202 44812326/8

masria@masria.com

masriagroup

+201 001609002/10

www.masria.com

masriagr

