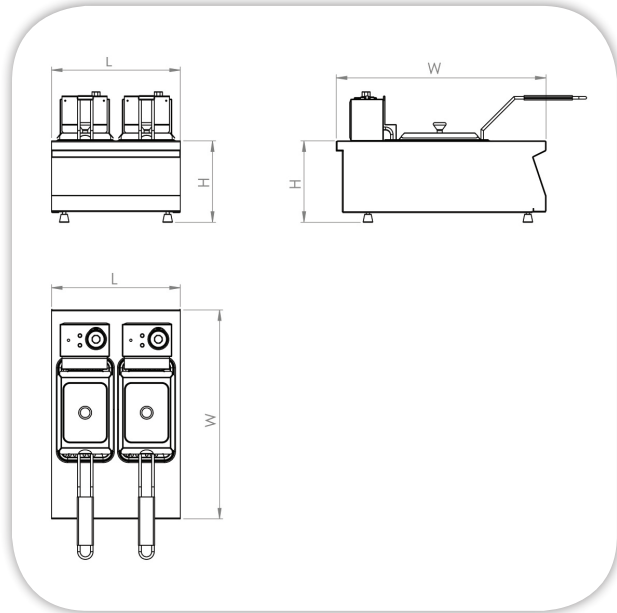
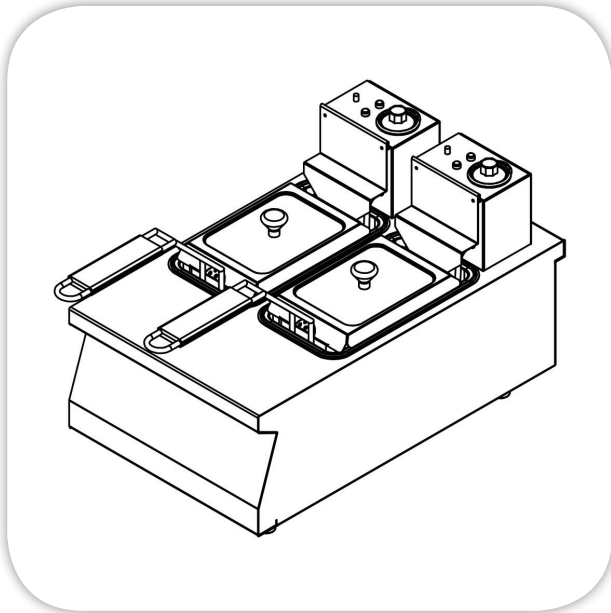


ELECTRIC SNACK DEEP FAT FRYER - COUNTER MODEL

Item:



SPECIFICATIONS: (Counter Type)

Body: Stainless steel (304) construction, with Adjustable leveling feet.

Basin: fry-In tank, (2) Gastronorm 1/3 depth 200mm, stainless steel (304), capacity 12 or 6 liters, immersing electric heating elements, which protected, Against over-heating, each tank completed with one basket and one bottom grid, and one drain valve.

Electric source: Electric Model, 380V/3Ph/50Hz

Control: thermostatically Controls (60:200°C) with temperature safety limiter and indication lamp.

TECHNICAL DATA:

MODEL	Dimensions (mm)			Capacity fry in tank (LT)	Electric Power (kW)	Net Weight (Kg)
	L	W	H			
MEC 12-05 Snack Electric deep fat fryer – One tank	400	650	250	12	6.0	
MEC 12-05-9 Snack Electric deep fat fryer – High Power One tank	400	650	250	12	9.0	
MEC 06-05 Snack Electric deep fat fryer – Two tanks	400	650	250	2x(6)	12.0	
MEC 06-05-06 Snack Electric deep fat fryer – High Power Two tanks	400	650	250	2x(6)	18.0	

Masria, In Line with its policy to continually improve its quality, reserves the right to change specs without notice.

+202 44812326/8

masria@masria.com

masriagroup

+201 001609002/10

www.masria.com

masriagr

