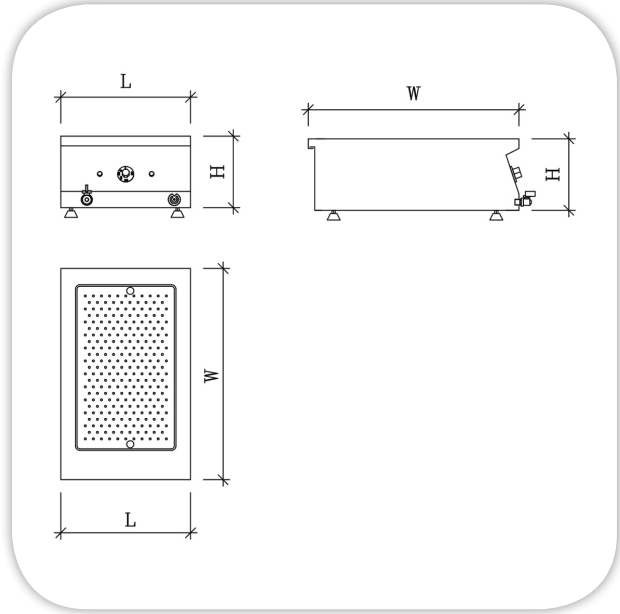
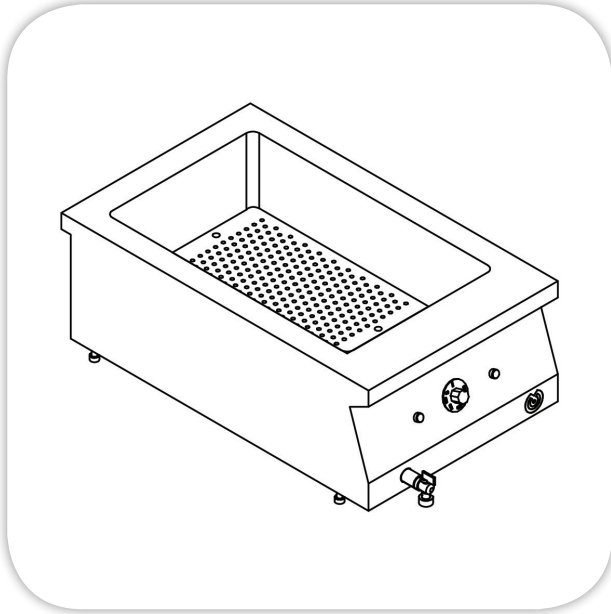


# ELECTRIC SNACK BAIN MARIE - COUNTER MODEL

Item: .....



## **SPECIFICATIONS: (Counter Type)**

**Body:** Stainless steel (304) construction, with Adjustable leveling feet.

**Basin:** Stainless steel (304) construction, capacity (1) (G/N) 1/1 depth 150 mm, immersing electric heating elements, completed with one bottom grid & one drain valve.

**Electric source:** 220V/1Ph/50Hz.  
**Available (G/N) Up-on request**

## **TECHNICAL DATA:**

MODEL	Dimensions (mm)			Electric Power (kW)	Net Weight (Kg)
	L	W	H		
MEC 07-05 Snack Electric Bain Marie (1) G/N 1/1	400	650	250	1.2	

Masria, In Line with its policy to continually improve its quality, reserves the right to change specs without notice.

+202 44812326/8

masria@masria.com

masriagroup

+201 001609002/10

www.masria.com

masriagr

