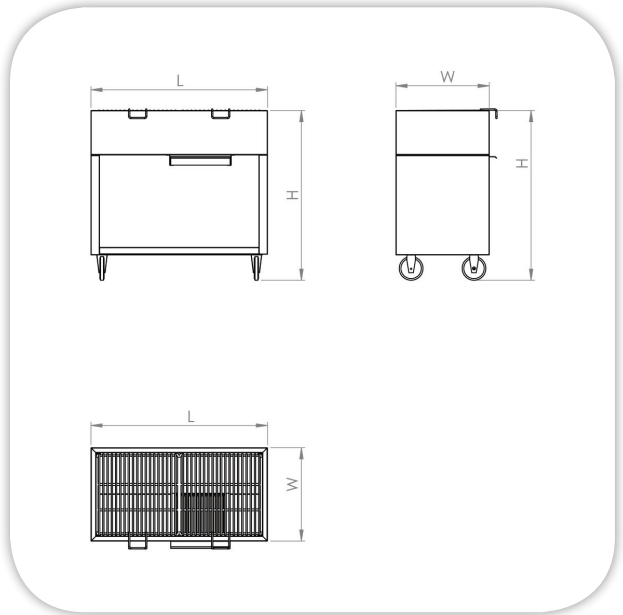
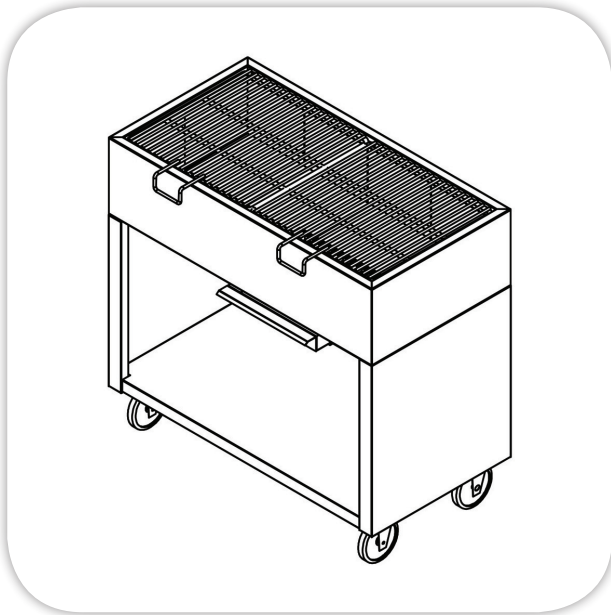


MOBILE CHARCOAL BARBECUE GRILL

Item:



SPECIFICATIONS:

Body: Stainless steel cladding, Bowl cover from inside by thermal bricks (fire stone)
Complete with storage cabinet and ash drawer
Wheels: (4) rubber casters diameter 5", two of them with brakes.

TECHNICAL DATA:

MODEL	Dimensions (mm)			Net Weight (kg)
	L	W	H	
MFC17-07-120 Mobile Charcoal Barbecue Grill	1200	600	850	
MFC17-07-200 Mobile Charcoal Barbecue Grill	2000	600	850	

Masria, In Line with its policy to continually improve its quality, reserves the right to change specs without notice.

+202 44812326/8

masria@masria.com

masriagroup

+201 001609002/10

www.masria.com

masriagr

