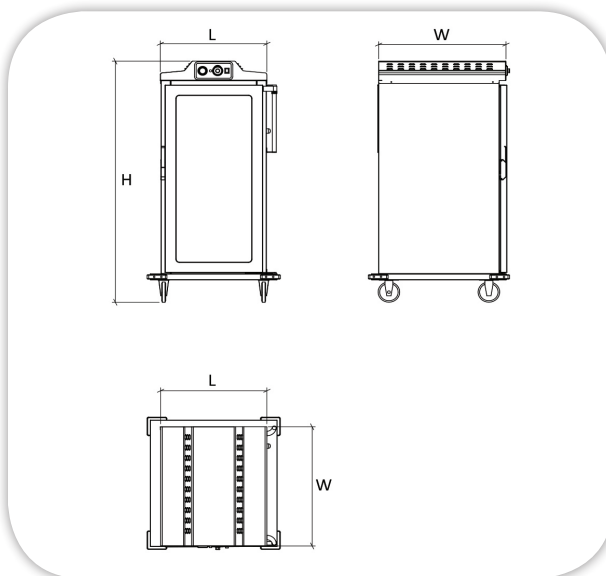
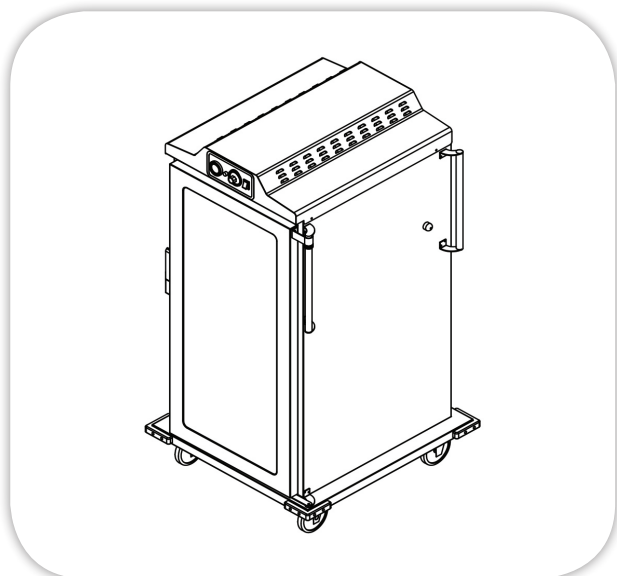


HOT BANQUET TROLLEY ONE DOOR (SHERATON STYLE)

Item:



ISO 9001



SPECIFICATIONS:

Body: Stainless steel (304) interior and exterior construction, foam polyurethane insulation, (40 kg/m³) density, (40mm) thickness, one door equipped with heavy duty thermal door gasket, equipped with protective rubber bumpers around the body, with (10 No's) stainless guides to suite gastronomie G/N 2/1 at spacing 100mm, with two push hands.

Electric source: 220V/1Ph/50HZ.

Control: Thermostatically Controlled (30:80°C) with forced hot air distribute throw duct along the holding chamber, with ON/OFF switch, indicator thermometer & indication lamp.

Mobile: on (4) rubber casters (5") heavy duty, two of them with brakes.

Available up-on request: Gastronomie G/N.

TECHNICAL DATA:

MODEL	Dimensions (mm)			Capacity	Eclectic Power (KW)	Net Weight (KG)
	L	W	H			
MFS-01-H2-NEW Banquet trolley one door-Sheraton style	660	800	1640	(10) G/N 2/1	2.0	

Masria, In Line with its policy to continually improve its quality, reserves the right to change specs without notice.

+202 44812326/8

masria@masria.com

masriagroup

+201 001609002/10

www.masria.com

masriagr

