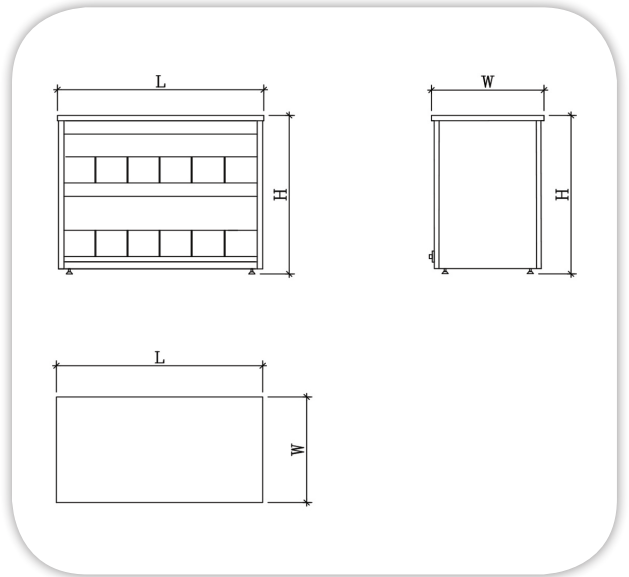
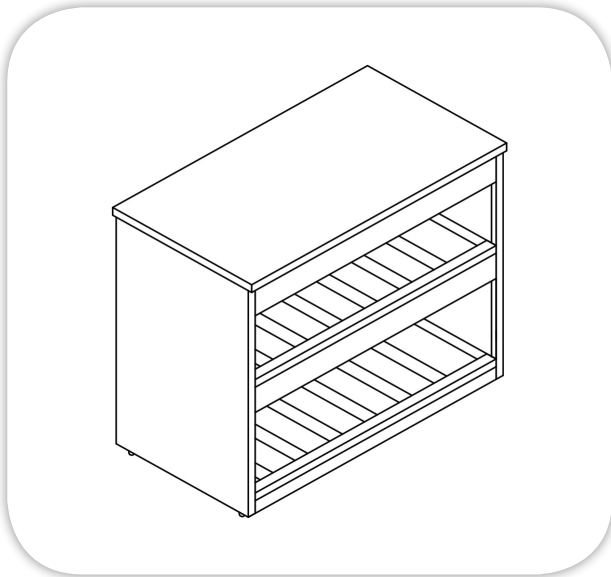


# HEATED DELIVERS SHOOT

Item: .....



## SPECIFICATIONS:

**Body:** Stainless steel (304) construction, body and partitions.

**Electric source:** 220V/1Ph/50HZ.

**Control:** simerstat control, ON/OFF switch.

## TECHNICAL DATA:

MODEL	Dimensions (mm)			Eclectic Power (K.W)	No.of partitions	Net Weight (KG)
	L	W	H			
MFS-07-96-1 Single tiers hot delivery shoot	960	500	450	1.5	4	
MFS-07-96-2 Double tiers hot delivery shoot	960	500	750	3.0	8	
MFS-07-120-1 Single tiers hot delivery shoot	1200	500	450	2.0	5	
MFS-07-120-2 Double tiers hot delivery shoot	1200	600	750	4.0	10	

Masria, In Line with its policy to continually improve its quality, reserves the right to change specs without notice.

+202 44812326/8

masria@masria.com

masriagroup

+201 001609002/10

www.masria.com

masriagr

