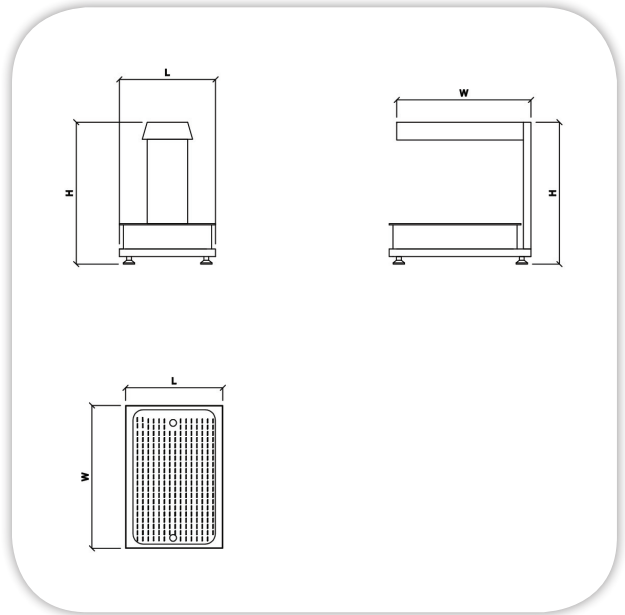
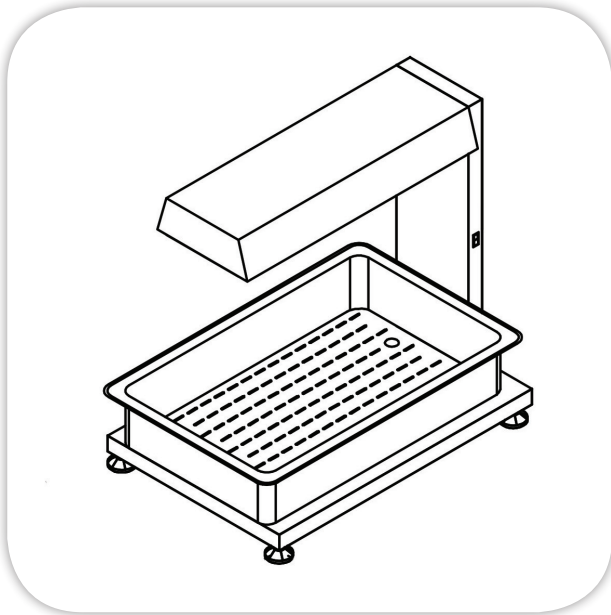


POTATO WARMER

Item:



ISO 9001



SPECIFICATIONS:

Body: Stainless steel (304) construction.
Platform 380x560 mm, complete with On/Off Switch

Capacity: (1) 1/1 G/N (G/N containers included)
Electric source: 220V/1Ph/50HZ.

TECHNICAL DATA:

MODEL	Dimensions (mm)			Eclectic Power (K.W)	Net Weight (KG)
	L	W	H		
MFS07-03 Potato Warmer	380	600	560	0.75	

Masria, In Line with its policy to continually improve its quality, reserves the right to change specs without notice.

+202 44812326/8

masria@masria.com

masriagroup

+201 001609002/10

www.masria.com

masriagr

