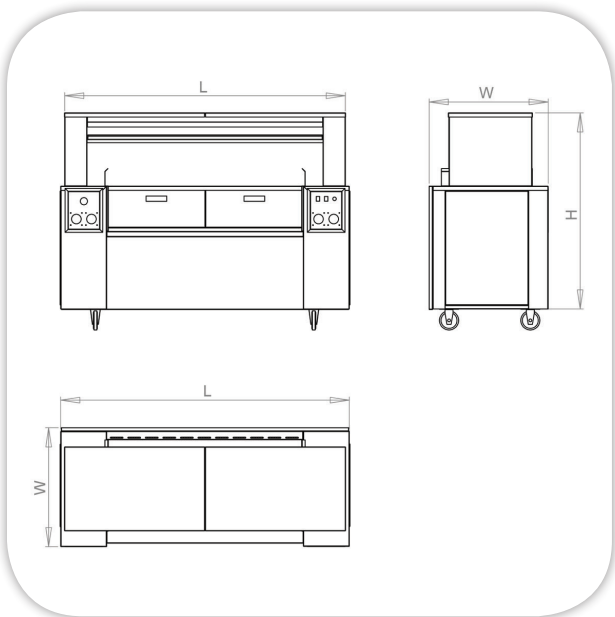
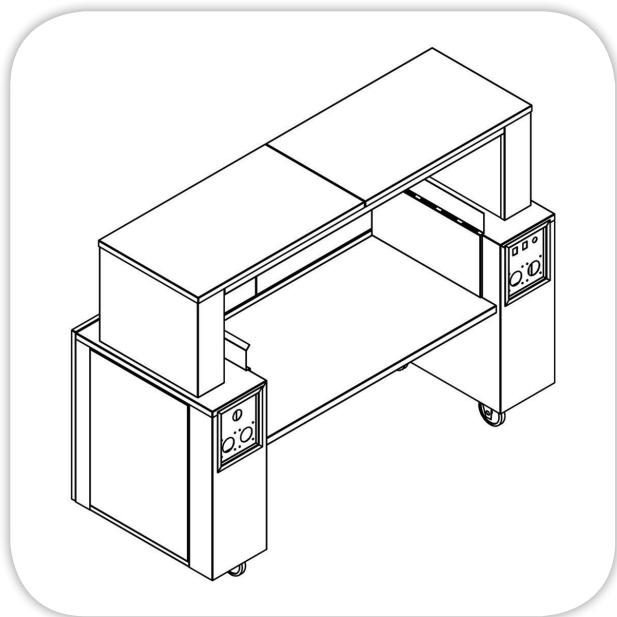


MOBILE INDOOR SHOW COOKING BASE UNIT

Item:

.....



ISO 9001



M-3026-E-02-17

SPECIFICATIONS:

With ductless hood
Composed of: S/S. base unit with ductless hood (3 stages), with spot lighting

Mobile: On (4) rubber casters (5"), two of them with brakes.

N.B.: Dims. of snack unit 400 x 560 x 250 mm

TECHNICAL DATA:

MODEL	Dimensions (mm)			Net Weight (KG)
	L	W	H	
MFC-BASE-02	1400	720	900/1400	
MFC-BASE-03	1800	720	900/1400	

Masria, In Line with its policy to continually improve its quality, reserves the right to change specs without notice.

+202 44812326/8

masria@masria.com

masriagroup

+201 001609002/10

www.masria.com

masriagr

