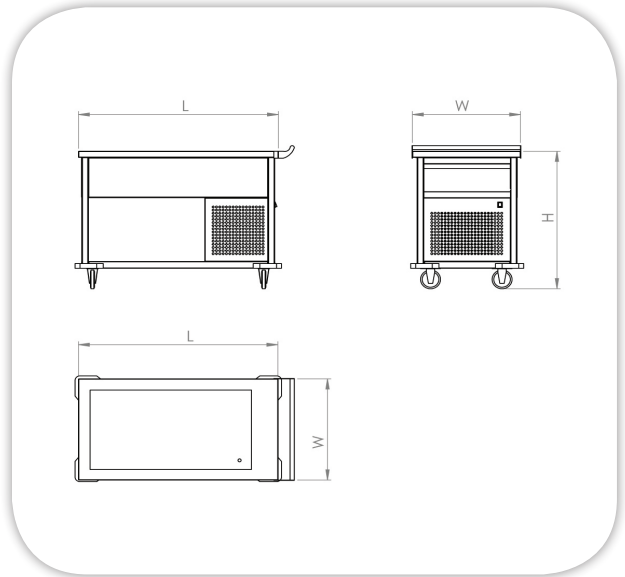
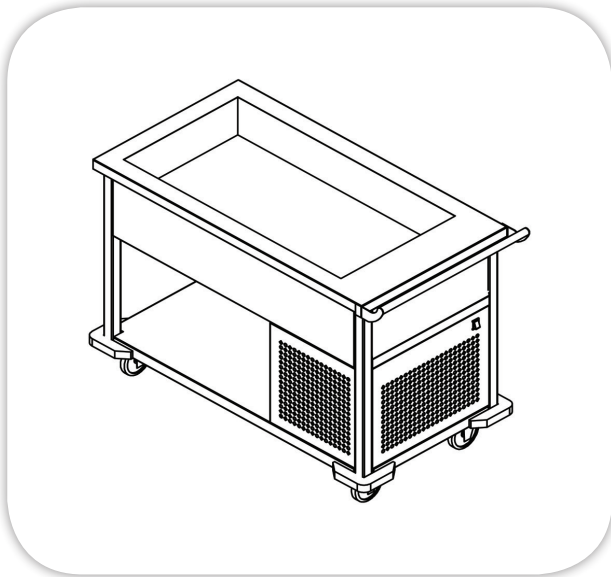


# SALAD SERVING CART (MOBILE COLD BAIN MARIE)

Item: .....



## SPECIFICATIONS:

**Body:** Stainless steel (304) construction, Bain Marie & under shelf.

**Bain Marie Top** (1.5mm) thickness, bowl (1.25 mm) thickness, refrigerator Pipe-work from copper tubes, with thermal insulation (40mm) thickness, static cooling.

**Legs:** (4)legs, stainless steel (40×40mm).

**Mobile:** the trolley on (4) rubber casters diameter (6<sup>inch</sup>) two of them with brakes & equipped with protective disc rubber bumpers

**Refrigeration system:** Air cooled compressor, Heavy duty, allowing bowl temperature zero°C, thermostatically controlled, and refrigerant R404A, with indication lamp, ON/OFF switch (imported condensing unit).

**Control:** thermostatically controlled (0°:+5°C) with cable length (1000mm).

**Electric source:** 220V/1Ph/50HZ.

**Available up-on request:** Gastronome G/N.

## TECHNICAL DATA:

MODEL	Dimensions (mm)			Bowl Capacity	Eclectic H.Power	Net Weight (KG)
	L	W	H			
MFS-03-M-2 Salad serving cart (2) G/N 1/1	900	650	900	(2) G/N 1/1	1/4	
MFS-03-M-3 Salad serving cart (3) G/N 1/1	1200	650	900	(3) G/N 1/1	1/3	
MFS-03-M-4 Salad serving cart (4) G/N 1/1	1500	650	900	(4) G/N 1/1	1/3	

Masria, In Line with its policy to continually improve its quality, reserves the right to change specs without notice.

+202 44812326/8

masria@masria.com

masriagroup

+201 001609002/10

www.masria.com

masriagr

