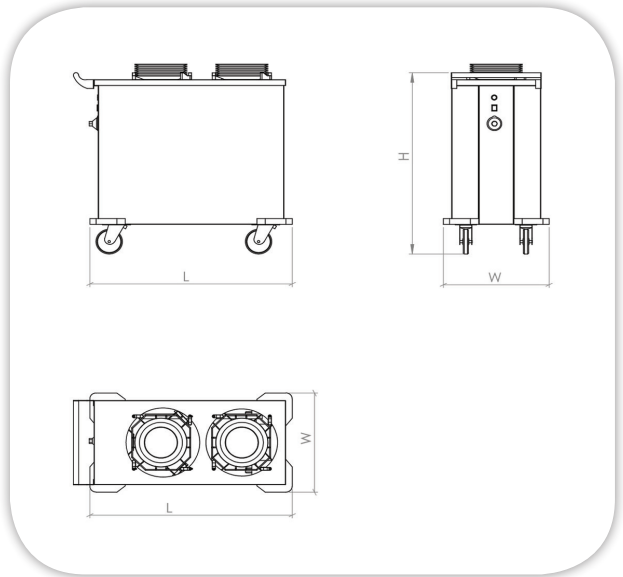
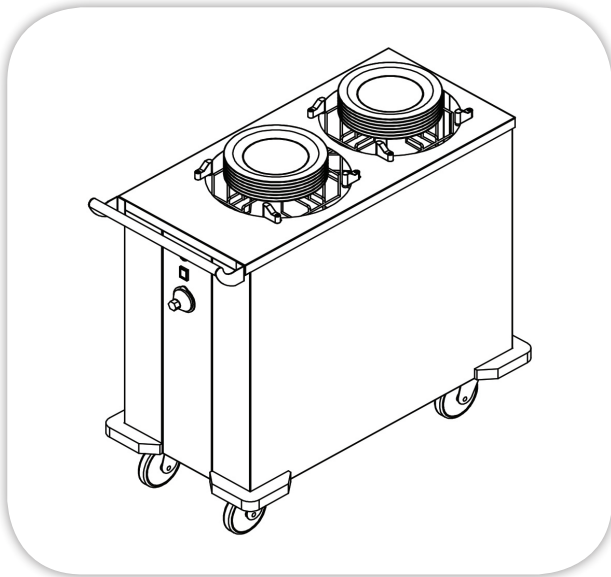


# HOT PLATE DISPENSER (DROP-IN & MOBILE)

Item: .....  
 .....



ISO 9001



## SPECIFICATIONS:

**Body:** Stainless steel construction, Model (MFS-22-M).

**Cylinder:** stainless steel, equipped with eight (8) heavy duty thermal resistance steel springs, Capacity per cylinder 55 round plates diameter (from 180 to 310mm), and with rectangular flange dimensions (280×280mm) for Model (MFS-22-drop-In).

**Electric source:** 220V/1Ph/50HZ.

**Heaters:** Heavy duty, statically Heatable, 1000 watt/Cylinder.

**Control:** Temperature can be regulate (+30:+80°C)

**Mobile:** on four (4) rubber casters diameter (5 inch) with protective rubber bumpers, Model (MFS-22-M).

## TECHNICAL DATA:

MODEL	Dimensions (mm)			Capacity Plate	Eclectic Power (KW)	Net Weight (KG)
	L	W	H			
MFS-22-H-31 Mobile two cylinders Hot Plate dispenser	920	430	900	(2) (55)	2.0	
MFS-DROP-H-31 Drop-In Hot Plate dispenser	280	280	650	(1) (55)	1.0	

Masria, In Line with its policy to continually improve its quality, reserves the right to change specs without notice.

+202 44812326/8

masria@masria.com

masriagroup

+201 001609002/10

www.masria.com

masriagr

