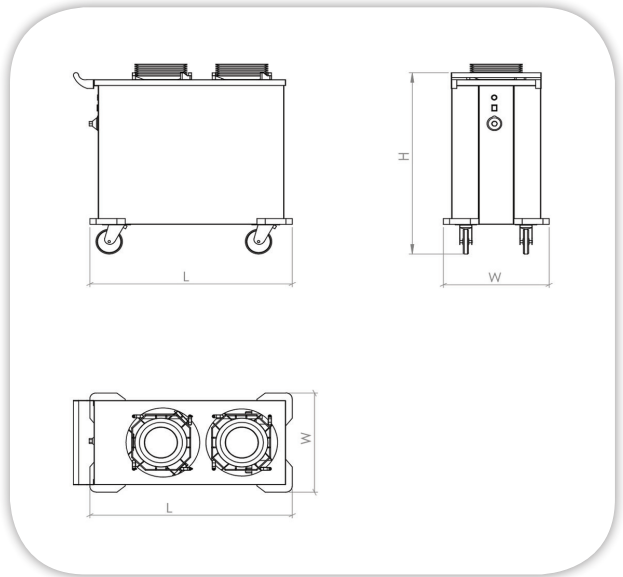
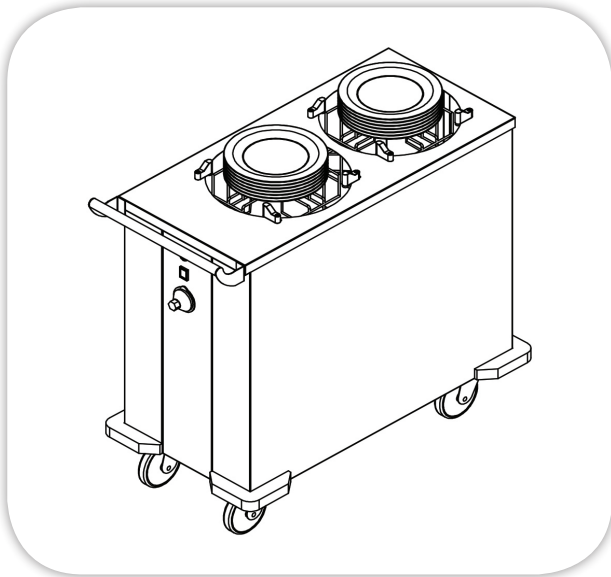


NEUTRAL PLATE DISPENSER (DROP-IN & MOBILE)

Item:



ISO 9001



SPECIFICATIONS:

Body: Stainless steel construction, Model (MFS-23-M).

Cylinder: stainless steel, equipped with eight (8) heavy duty steel springs, Capacity per cylinder 55 round plates diameter (from 180 to 310mm), and with rectangular flange dimensions (280×280mm), for Model (MFS-23-M)

Mobile: on four (4) rubber casters diameter (5^{inch}) with protective rubber bumpers.

TECHNICAL DATA:

MODEL	Dimensions (mm)			Capacity Plate	Net Weight (KG)
	L	W	H		
MFS-22-N-31 Mobile two cylinders Neutral Plate dispenser	920	430	900	(2) (55)	
MFS-DROP-N-31 Drop-In Neutral Plate dispenser	280	280	650	(1) (55)	

Masria, In Line with its policy to continually improve its quality, reserves the right to change specs without notice.

+202 44812326/8

masria@masria.com

masriagroup

+201 001609002/10

www.masria.com

masriagr

