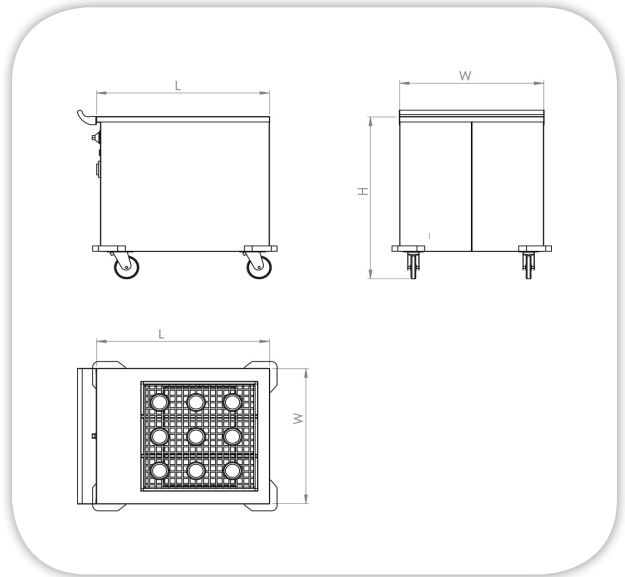
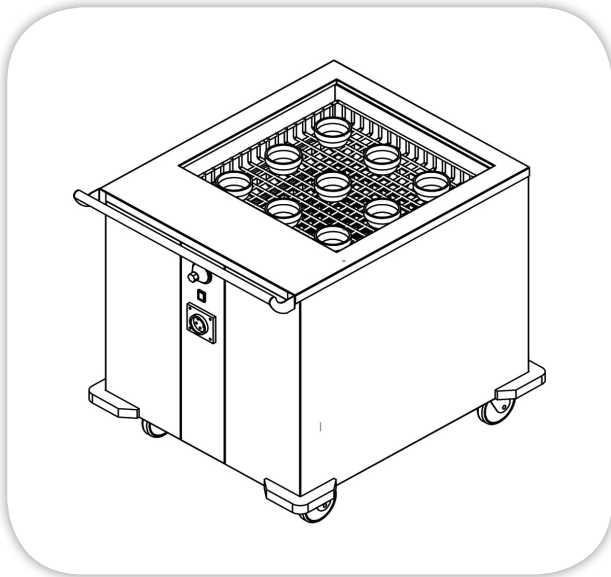


# MOBILE HOT BASKET DISPENSER

Item: .....  
 .....



## SPECIFICATIONS:

**Body:** Stainless steel construction, Model (MFS-24-M).

**Cylinder:** Stainless steel, equipped with eight (8) heavy duty thermal resistance steel springs. Capacity six (6) Baskets.

**Electric source:** 220V/1Ph/50HZ.

**Heaters:** Heavy duty, statically Heatable, 1000 watt.

**Control:** Temperature can be regulate (+30:+80°C).

**Mobile:** on four (4) rubber casters diameter (5<sup>inch</sup>) with protective rubber bumpers,

**Baskets:** steel grade Constriction, Dimension (520×520× 100mm)

**Available up-on request:** steel grade Constriction baskets dimension (520×520× 100mm).

## TECHNICAL DATA:

MODEL	Dimensions (mm)			Capacity Baskets	Eclectic Power (KW)	Net Weight (KG)
	L	W	H			
MFS-22-B-10 Mobile Hot baskets (bowl) dispenser	920	430	900	6	2.0	

Masria, In Line with its policy to continually improve its quality, reserves the right to change specs without notice.

+202 44812326/8

masria@masria.com

masriagroup

+201 001609002/10

www.masria.com

masriagr

