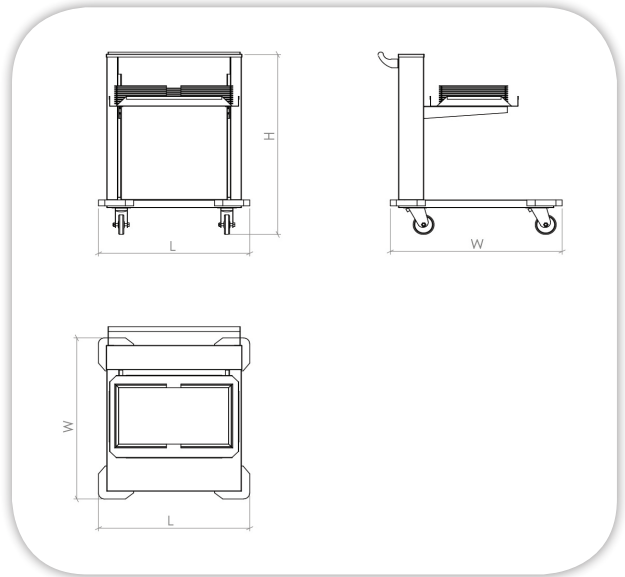


MOBILE TRAY DISPENSER

Item:



SPECIFICATIONS:

Body: Stainless steel construction, with push hands.

Lifting system: Mechanical lifting system.

Mobile: on four (4) rubber casters diameter (5^{inch}) with protective rubber bumpers.

Capacity: up to 100 trays dimension up to (630×370mm).

TECHNICAL DATA:

MODEL	Dimensions (mm)			Capacity trays	Net Weight (KG)
	L	W	H		
MFS-23-T-KSA Mobile Tray dispenser	730	830	900	100	

Masria, In Line with its policy to continually improve its quality, reserves the right to change specs without notice.

+202 44812326/8

masria@masria.com

masriagroup

+201 001609002/10

www.masria.com

masriagr

