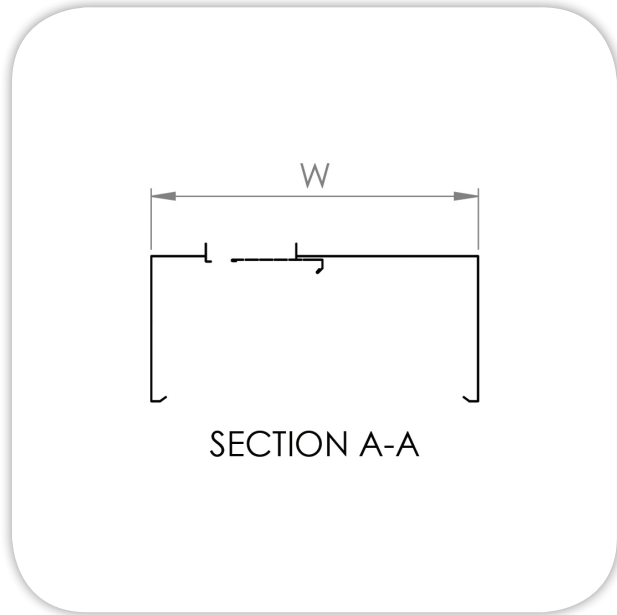
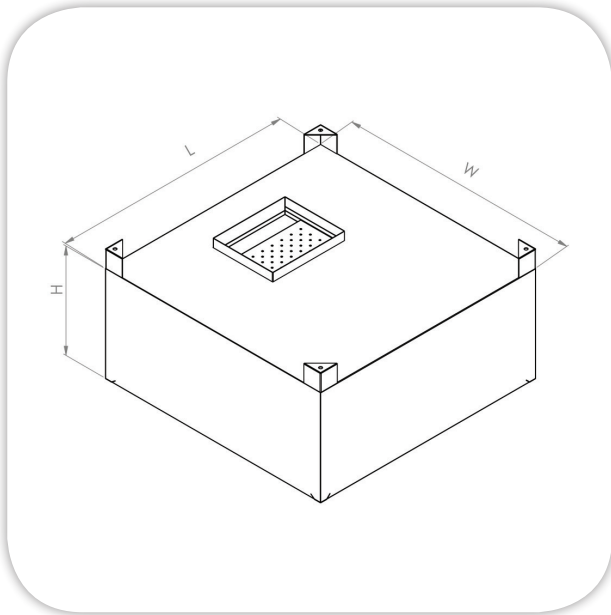


# CONDENSATE HOOD

Item: .....  
 .....



## SPECIFICATIONS:

**Wall mounted - open type hood**

**Body:** stainless steel (304) construction, except top galvanized steel.

**Available Upon request:** Duct work, Duct connection, fire protection fire-dampers, Extract fan, other dimensions , Condensate pipe

## TECHNICAL DATA:

MODEL	Dimensions (mm)			Net Weight (Kg)
	L	W	H	
MFC 00-09 Condensate hood	900	900	400	

Masria, In Line with its policy to continually improve its quality, reserves the right to change specs without notice.

+202 44812326/8

masria@masria.com

masriagroup

+201 001609002/10

www.masria.com

masriagr

