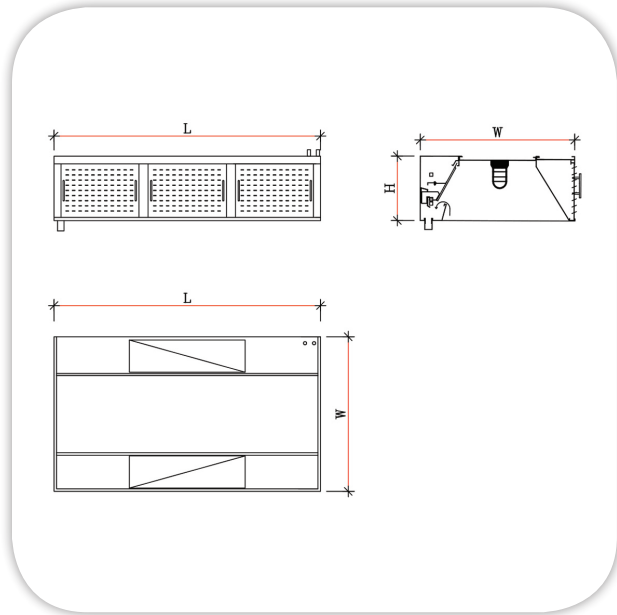
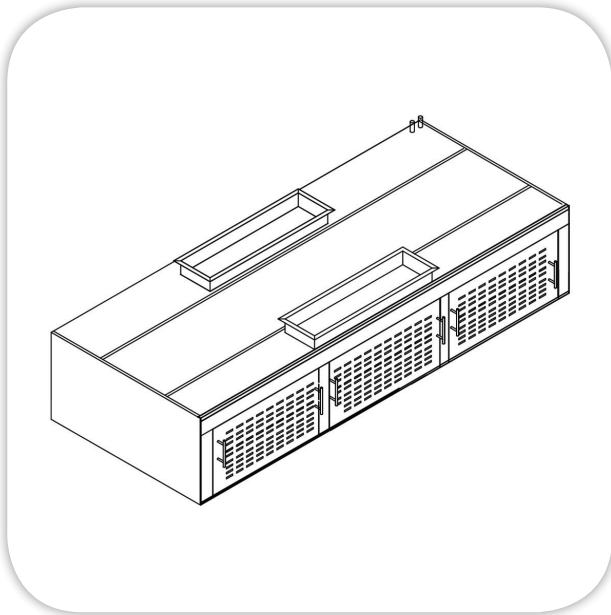


WATER MIST HOOD (WITH FRESH AIR)

Item:



SPECIFICATIONS:

These models, easy of insulation, cleaning not only the canopy but also the duct-work and servicing with high efficiency, self-draining.

Equiped with frish air adjustable air outlet

Construction: Stainless steel (304) Construction, Hot and cold pipes are heavy duty stainless steel, Spray nozzles one machined brass for hot water wash and stainless steel for cold water mist.

Drainage: drain pipe work is heavy duty from copper.

Filters: Stainless steel (304), movable flat sheet, Air extracts channel all over the hood length at bottom.

Control banal: Painted steel, very high quality heavy duty, with indication lamps, ON/OFF switch, contactors, relays CE approved.

Available Up-on request: Duct connection, Duct work, extract fan, frish air fan and fire-fighting, volume control damper, fire-dampers.

TECHNICAL DATA:

MODEL	Dimensions (mm)			Extract Outlet		Net Weight (Kg)
	L	W	H	No	q x b	
MFC 11-07-200 Wall mounted water mist hood with Fresh air	2000	1200	550	1	250x250	
MFC 11-07-300 Wall mounted water mist hood with Fresh air	3000	1200	550	2	250x250	
MFC 13-07-200 Island mounted water mist hood with Fresh air	2000	2200	550	1	400x400	
MFC 13-07-300 Island mounted water mist hood with Fresh air	3000	2200	550	2	400x400	

Masria, In Line with its policy to continually improve its quality, reserves the right to change specs without notice.

+202 44812326/8

masria@masria.com

masriagroup

+201 001609002/10

www.masria.com

masriagr

