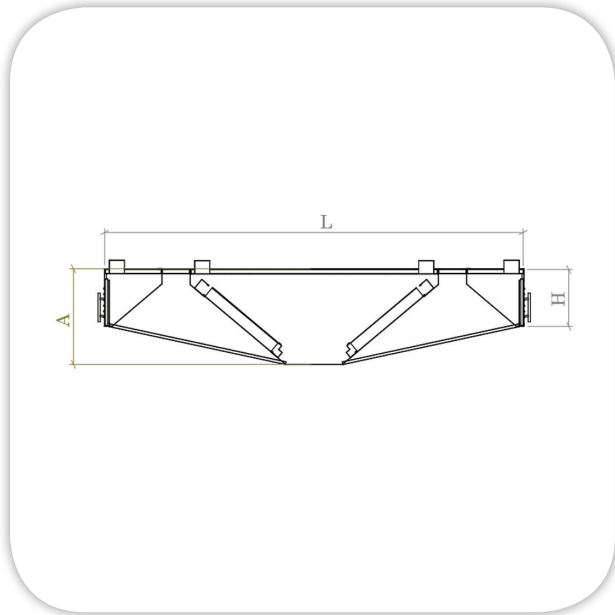
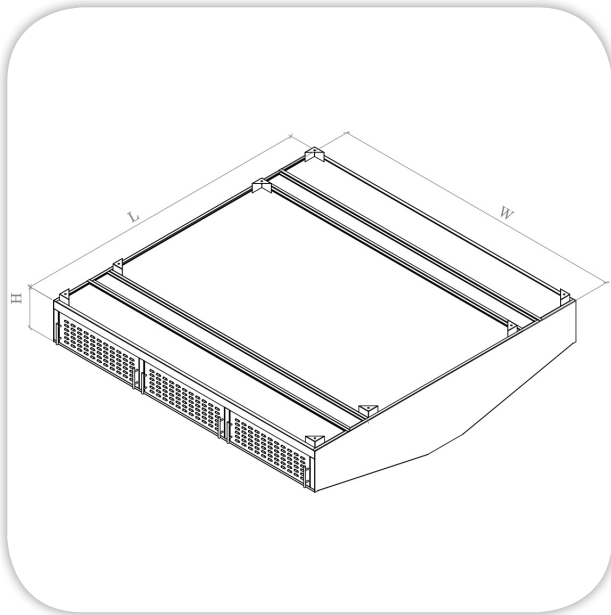


ISLAND (CENTRAL) HOOD (COMPENSATED TYPE)

Item:



SPECIFICATIONS:

Body: Stainless Steel (304) Construction, except top, Galvanized Steel

With fresh air source (double skin)

Complete with Baffle Filters for Extract & adjustable louver for Fresh air, Fat Collecting Tray & lighting.

Available Up-on request:

Duct work, Duct connections, fire fighting, Extract fan & Fresh air fan.

TECHNICAL DATA:

MODEL	Dimensions (mm)		
	L	W	H
MFC00-05-COMP Island (Central) Hood (Compensated type)	Up-to 3000	Up-to 2500	500:550

Masria, In Line with its policy to continually improve its quality, reserves the right to change specs without notice.

+202 44812326/8

masria@masria.com

masriagroup

+201 001609002/10

www.masria.com

masriagr

