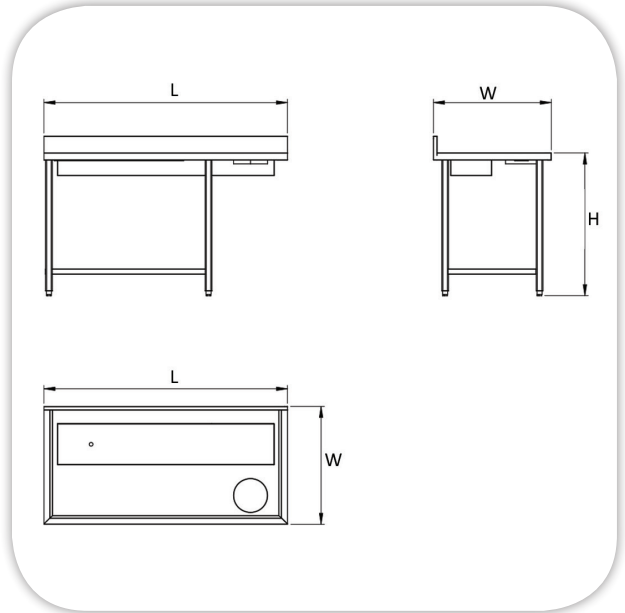


# VEGETABLE PREPARATION WORK TABLE (W/BACK SPLASH)

Item: .....



## SPECIFICATIONS:

**Body:** Stainless Steel Construction  
**Top:** Stainless Steel (304), reinforcement and sound deadening material at bottom, top thickness 1.5 mm, bowl at back for 4No. G/N 1/2 depth 150 mm  
**Back Splash:** Stainless Steel Height 100 mm  
**Shelves:** Stainless Steel, 1.0 mm thickness, one bottom shelf.

**Cutting Board:** from white Artilon, Dimensions 900x300x20  
**Garbage shut:** on top of right, diameter 40mm  
**Legs:** Stainless Steel, (4) Legs (diameter 38 mm), or (Dimensions 40 x 40mm with added (S) on the model), with adjustable leveling feet.  
**G/N:** upon request

## TECHNICAL DATA:

MODEL	Dimensions (mm)		
	L	W	H
MFP01-15	1500	750	850

Masria, In Line with its policy to continually improve its quality, reserves the right to change specs without notice.

+202 44812326/8

masria@masria.com

masriagroup

+201 001609002/10

www.masria.com

masriagr

