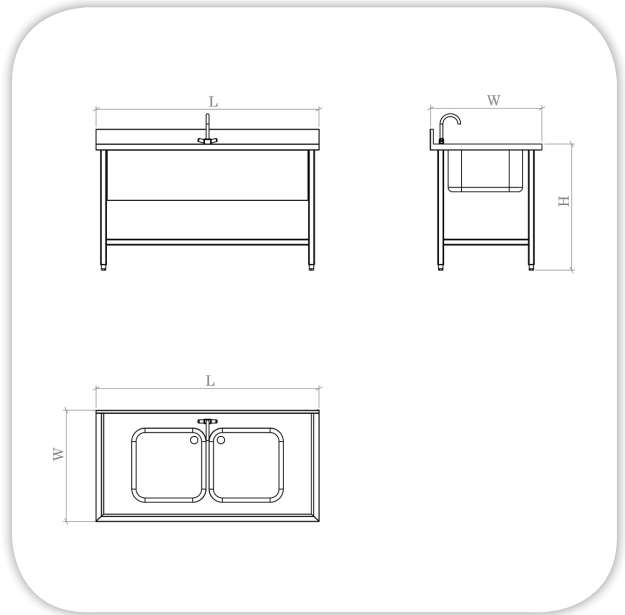
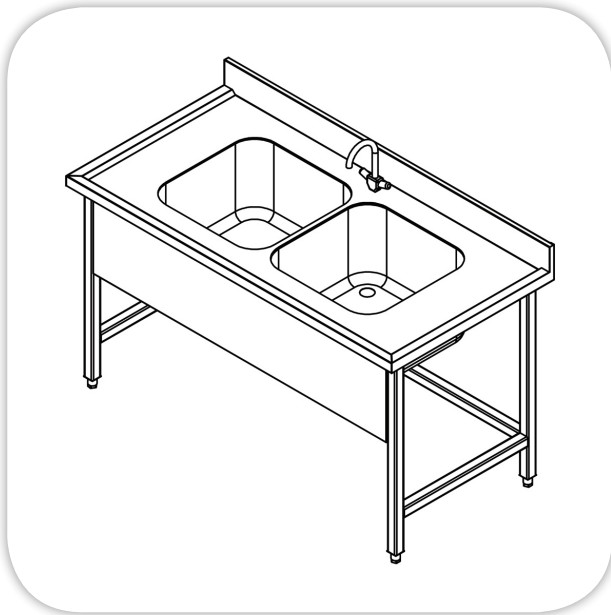


# DOUBLE SINK UNIT

Item: .....  
 .....



## SPECIFICATIONS:

**Body:** Stainless Steel Construction

**Drain board:** Stainless Steel (304), 1.5mm thickness, reinforcement and sound deadening material at bottom, incline in the direction of bowls

**Bowls:** Stainless Steel, (2) Deep Drawn bowls

**Front Splash:** Stainless Steel (304) Height 15mm

**Back Splash:** Stainless Steel (304) Height 100mm

**Legs:** Stainless Steel, (4) Legs dimensions 40x40mm, with adjustable leveling feets.

**Faucet & Drain:** included

## TECHNICAL DATA:

MODEL	Bowl Dimensions (mm)			Sink Unit Dimensions (mm)		
	A	B	D	L	W	H
MFP02-04/237	500	500	300	2370	750	850
MFP02-04/187	500	500	300	1870	750	850
MFP02-04/180	500	500	300	1800	750	850
MFP02-04/150	500	500	300	1500	750	850
MFP02-04/115	500	500	300	1150	750	850
MFP02-05/237	600	500	300	2370	750	850
MFP02-05/187	600	500	300	1870	750	850
MFP02-05/150	600	500	300	1500	750	850
MFP02-06/237	800	600	400	2370	750	850
MFP02-06/187	800	600	400	1870	750	850

Masria, In Line with its policy to continually improve its quality, reserves the right to change specs without notice.

+202 44812326/8

masria@masria.com

masriagroup

+201 001609002/10

www.masria.com

masriagr

