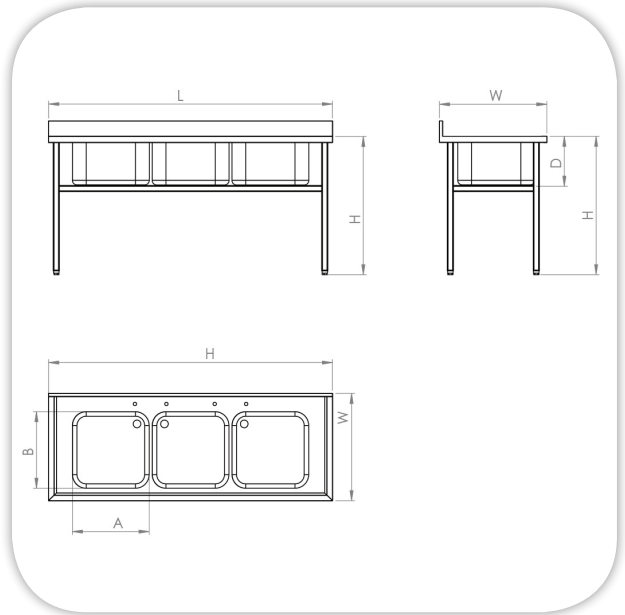
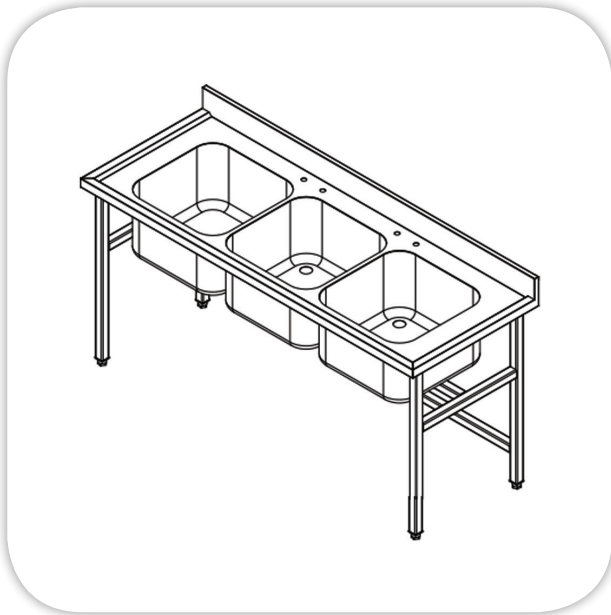


TRIPLE SINK UNIT

Item:



SPECIFICATIONS:

Body: Stainless Steel Construction

Drain board: Stainless Steel (304), 1.5mm thickness, reinforcement and sound deadening material at bottom, incline in the direction of bowls

Bowls: Stainless Steel, (3) Deep Drawn bowls

Back Splash: Stainless Steel (304) Height 100mm

Legs: Stainless Steel, (4) Legs (diameter 38 mm), or (Dimensions 40 x 40mm with added (S) on the model), with adjustable leveling feet.

Assembly: Knockdown upon request

Faucet & Drain set: available upon request

TECHNICAL DATA:

MODEL	Bowl Dimensions (mm)			Sink Unit Dimensions (mm)		
	A	B	D	L	W	H
MFP02-05-T	600	500	300	2000	750	850
	500	500	300	1800	750	850

Masria, In Line with its policy to continually improve its quality, reserves the right to change specs without notice.

+202 44812326/8

masria@masria.com

masriagroup

+201 001609002/10

www.masria.com

masriagr

