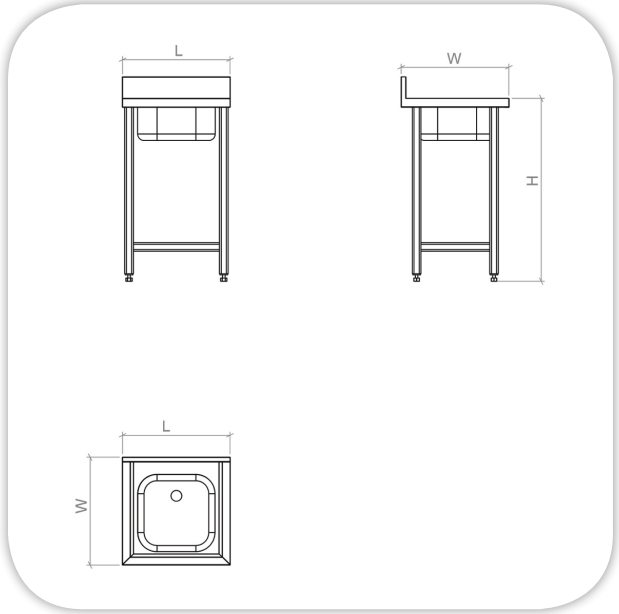
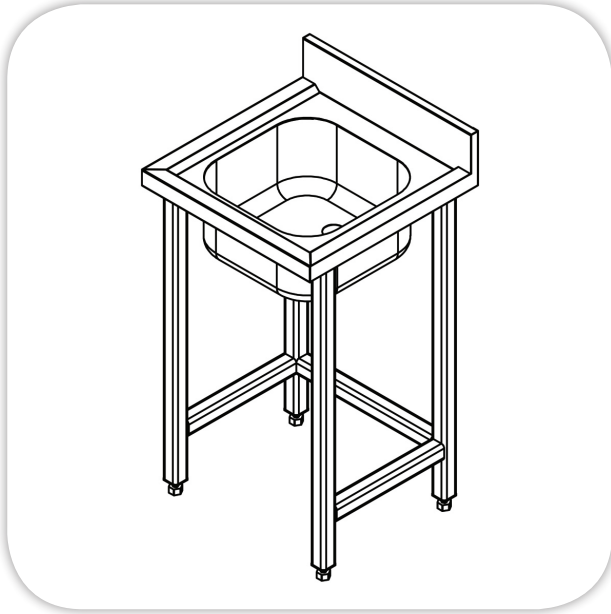


SINK UNIT

Item:



SPECIFICATIONS:

Body: Stainless Steel (304) Construction

Bowl: Stainless Steel, Deep Drawn, with 100mm back splash, Counter Model

Available upon request: All accessories

TECHNICAL DATA:

MODEL	Bowl Dimensions (mm)			Sink Unit Dimensions (mm)		
	A	B	D	L	W	H
MFP-S-02	400	350	130	500	500	850

Masria, In Line with its policy to continually improve its quality, reserves the right to change specs without notice.

+202 44812326/8

masria@masria.com

masriagroup

+201 001609002/10

www.masria.com

masriagr

