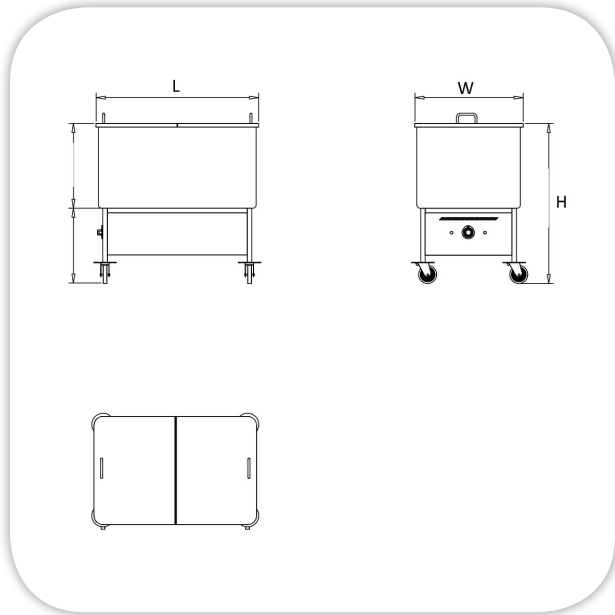
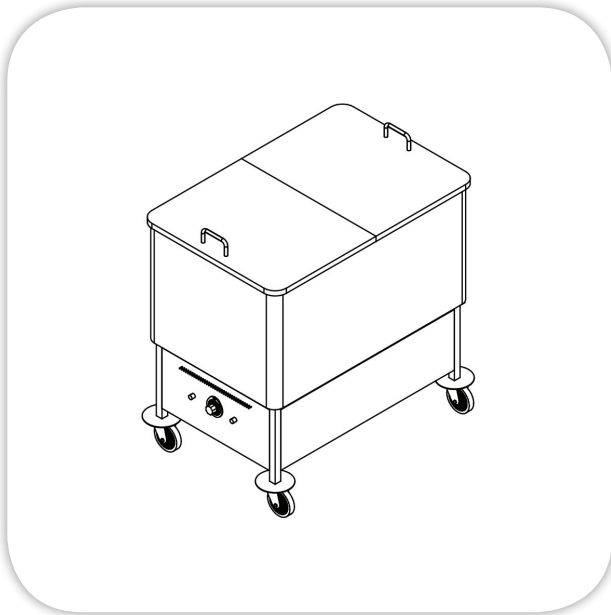


HEATED MOBILE SILVER SOAK SINK

Item:



SPECIFICATIONS:

Body: Stainless Steel Construction

Bowl Capacity: 210 litre

drain valve: 1.5 inch diameter drain valve

Wheels: (4) rubber casters diameter 5", (2) casters equipped with brakes

Heater: Stainless Steel (316)

TECHNICAL DATA:

MODEL	Bowl Dimensions (mm)			Sink Unit Dimensions (mm)			Electric Power
	A	B	D	L	W	H	
MFP02-07H	850	550	450	900	600	850	9kW/380V/3ph/50Hz

Masria, In Line with its policy to continually improve its quality, reserves the right to change specs without notice.

+202 44812326/8

masria@masria.com

masriagroup

+201 001609002/10

www.masria.com

masriagr

