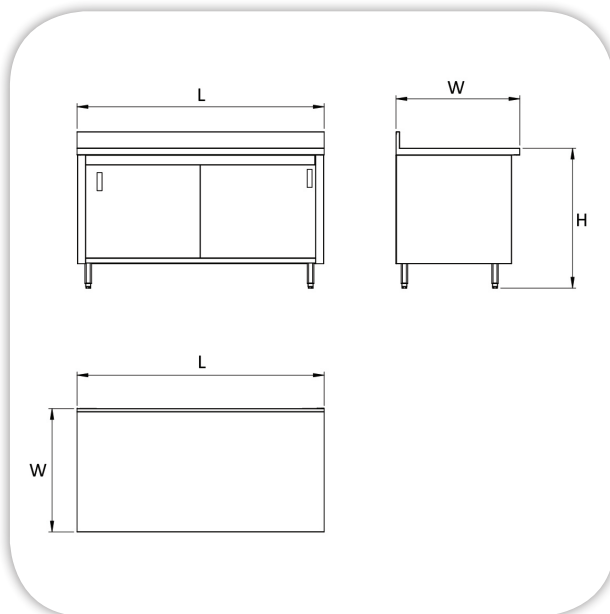
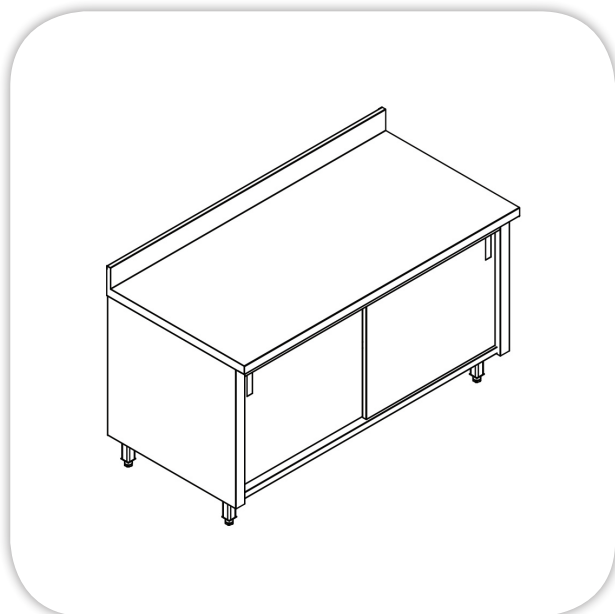


# NEUTRAL WORK COUNTER (W/SLIDING DOORS)

Item: .....

.....



ISO 9001



M-3026-E-02-17

## SPECIFICATIONS:

**Body:** Stainless Steel Construction

**Top:** Stainless Steel (304) reinforcement and sound deadening material at bottom, top Thickness 1.5 mm

**Sliding Doors:** two Stainless Steel Sliding Doors.

**Back Splash:** Stainless Steel Height 100 mm

**Shelves:** Stainless Steel, one middle shelf.

**Legs:** Stainless Steel, (4) Legs, 40 x 40 mm, with adjustable leveling feet.

**Available upon request:** Door lock.

## TECHNICAL DATA:

MODEL	Dimensions (mm)		
	L	W	H
MFP03-01-S/300	3000	750	850
MFP03-01-S/288	2880	750	850
MFP03-01-S/250	2500	750	850
MFP03-01-S/238	2380	750	850
MFP03-01-S/200	2000	750	850
MFP03-01-S/188	1880	750	850
MFP03-01-S/150	1500	750	850
MFP03-01-S/138	1380	750	850
MFP03-01-S/112	1120	750	850
MFP03-01-S/100	1000	750	850
MFP03-01-S/88	880	750	850

Masria, In Line with its policy to continually improve its quality, reserves the right to change specs without notice.

+202 44812326/8

masria@masria.com

masriagroup

+201 001609002/10

www.masria.com

masriagr

