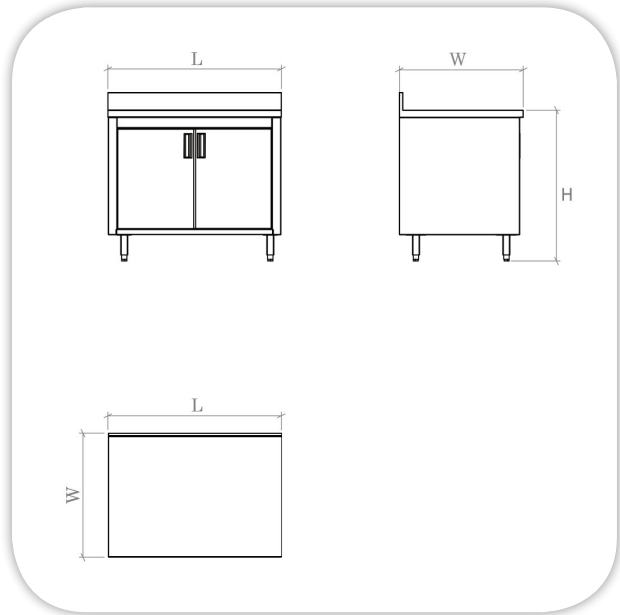
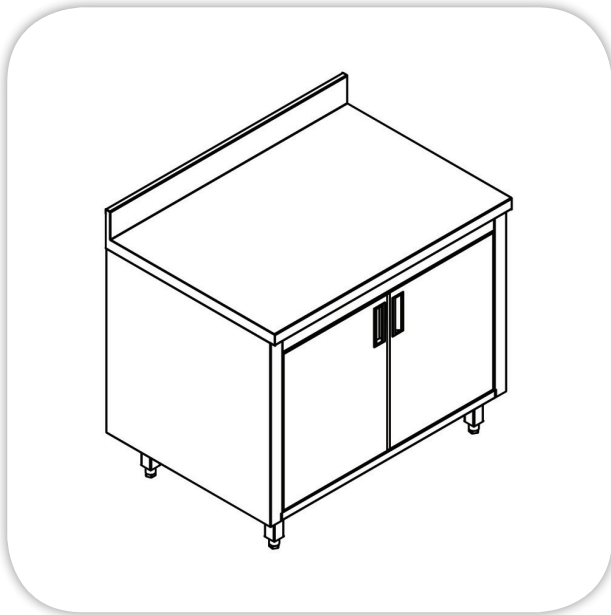


NEUTRAL WORK COUNTER (W/HINGED DOORS)

Item:



SPECIFICATIONS:

Body: Stainless Steel Construction

Top: Stainless Steel (304) reinforcement and sound deadening material at bottom, top Thickness 1.5 mm

Hinged Doors: two Stainless Steel Hinged Doors

Back Splash: Stainless Steel Height 100 mm

Shelves: Stainless Steel, one middle shelf.

Legs: Stainless Steel, (4) Legs, 40 x 40mm, with adjustable leveling feet.

TECHNICAL DATA:

MODEL	Dimensions (mm)		
	L	W	H
MFP03-01-H	800	900	900
MFP03-01-H	400	900	900
MFP03-01-H	800	750	900
MFP03-01-H	400	750	900

Masria, In Line with its policy to continually improve its quality, reserves the right to change specs without notice.

+202 44812326/8

masria@masria.com

masriagroup

+201 001609002/10

www.masria.com

masriagr

