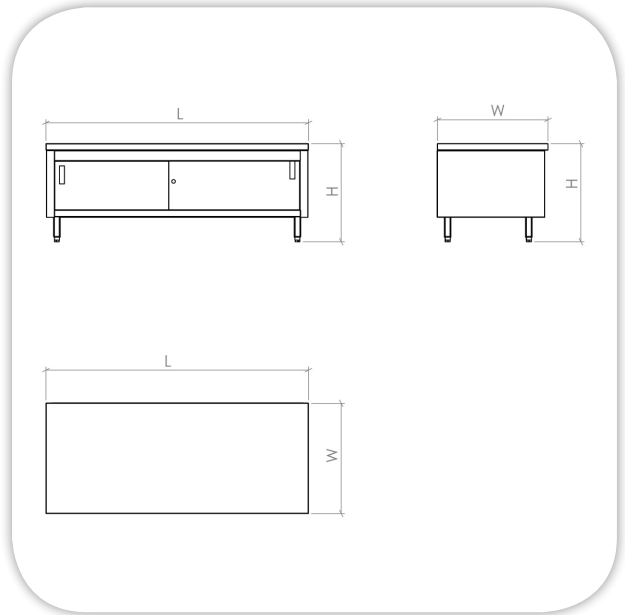
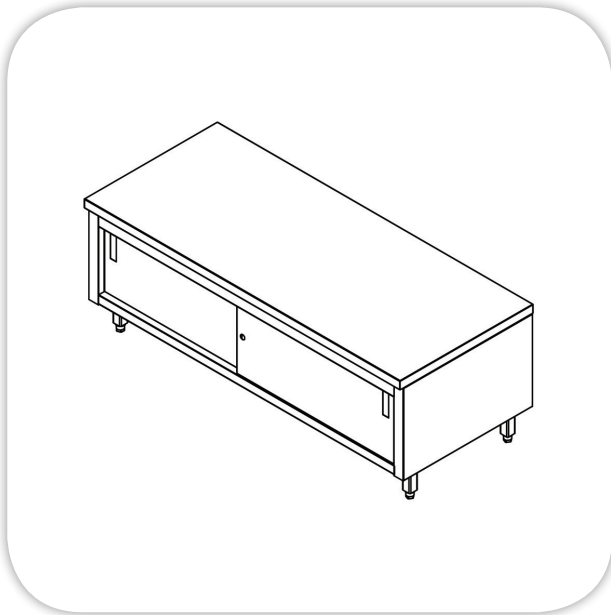


# SNACK NEUTRAL COUNTER

Item: .....  
 .....



ISO 9001



## SPECIFICATIONS:

**Body:** Stainless Steel Construction

**Top:** Stainless Steel (304) reinforcement and sound deadening material at bottom, top Thickness 1.2 mm

**Sliding Doors:** two stainless steel sliding doors, except length 400,800mm without sliding doors.

**Shelves:** Stainless Steel, one middle shelf.

**Legs:** Stainless Steel, (4) Legs, 40 x 40 mm, with adjustable leveling feet.

**Available upon request:** Door lock.

## TECHNICAL DATA:

MODEL	Dimensions (mm)		
	L	W	H
MFP03-02/200	2000	640	600
MFP03-02/160	1600	640	600
MFP03-02/120	1200	640	600
MFP03-02/80	800	640	600
MFP03-02/40	400	640	600

Masria, In Line with its policy to continually improve its quality, reserves the right to change specs without notice.

+202 44812326/8

masria@masria.com

masriagroup

+201 001609002/10

www.masria.com

masriagr

