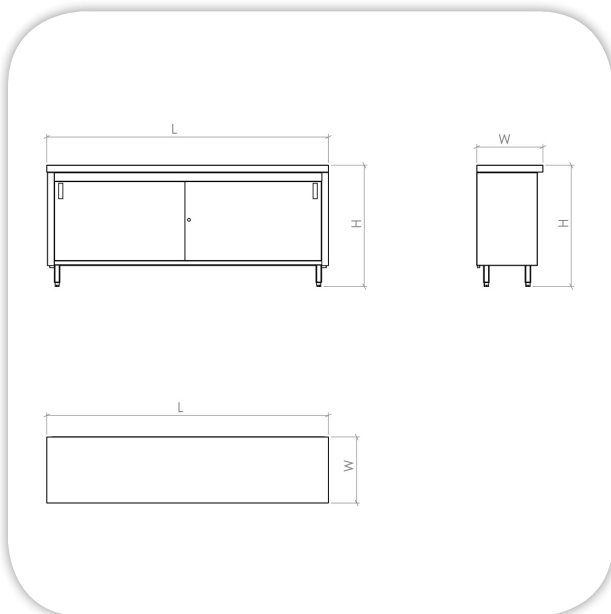
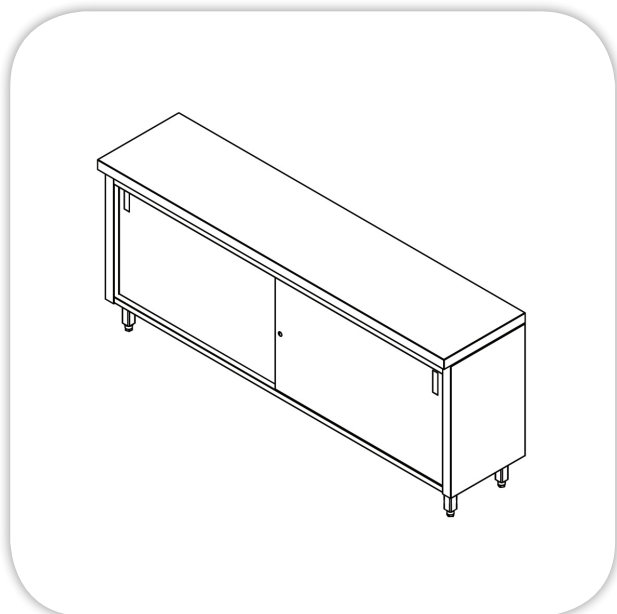


# PLATE STORAGE COUNTER (W/SLIDING DOORS)

Item: .....



ISO 9001



## SPECIFICATIONS:

**Body:** Stainless Steel Construction

**Top:** Stainless Steel (304) reinforcement and sound deadening material at bottom, top Thickness 1.5 mm

**Sliding Doors:** two Stainless Steel Sliding Doors.

**Shelves:** Stainless Steel, one middle shelf.

**Legs:** Stainless Steel, (4) Legs (diameter 38 mm), or (Dimensions 40 x 40mm with added (S) on the model), with adjustable leveling feet.

**Available upon request:** Door lock.

## TECHNICAL DATA:

MODEL	Dimensions (mm)		
	L	W	H
MFP03-03/238	2380	400	850
MFP03-03/200	2000	400	850
MFP03-03/188	1880	400	850
MFP03-03/150	1500	400	850
MFP03-03/138	1380	400	850
MFP03-03/112	1120	400	850
MFP03-03/100	1000	400	850

Masria, In Line with its policy to continually improve its quality, reserves the right to change specs without notice.

+202 44812326/8

masria@masria.com

masriagroup

+201 001609002/10

www.masria.com

masriagr

