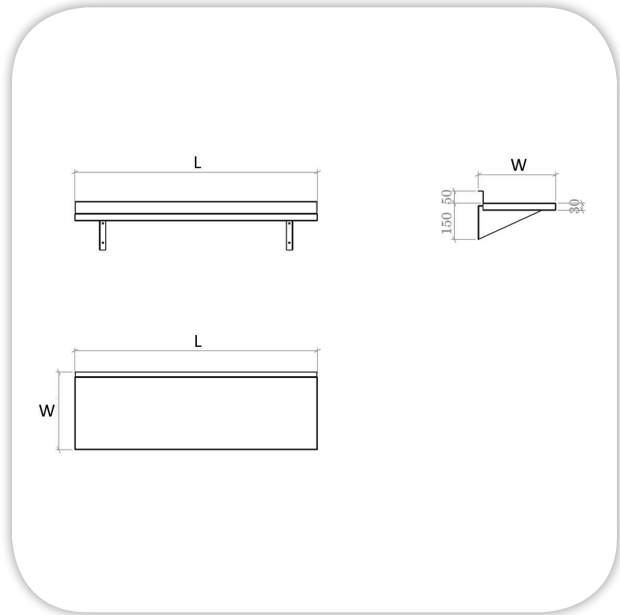
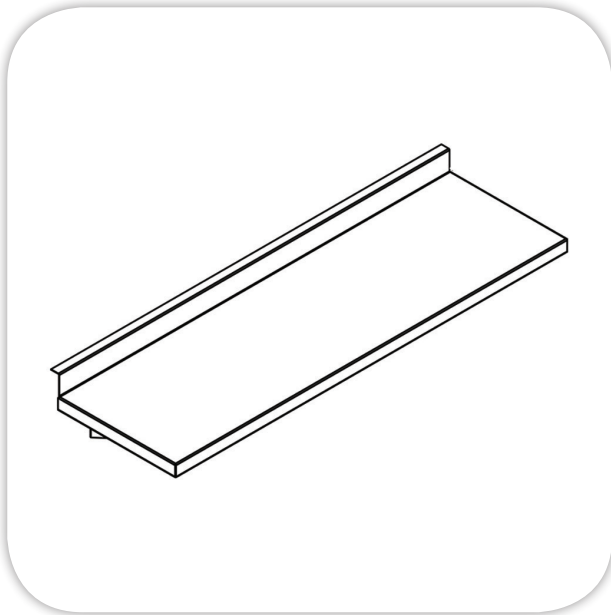


WALL MOUNTED SHELF (SINGLE TIER)

Item:
.....



MFP



SPECIFICATIONS:

Shelf: Stainless Steel (304) thickness 1.2 mm.

Brackets: Stainless Steel, thickness 1.5 mm,
(2) Numbers.

TECHNICAL DATA:

MODEL	Width (mm)
MFP04-01-32	320
MFP04-01-40	400
MFP04-01-60	600

Masria, In Line with its policy to continually improve its quality, reserves the right to change specs without notice.

+202 44812326/8

masria@masria.com

masriagroup

+201 001609002/10

www.masria.com

masriagr

