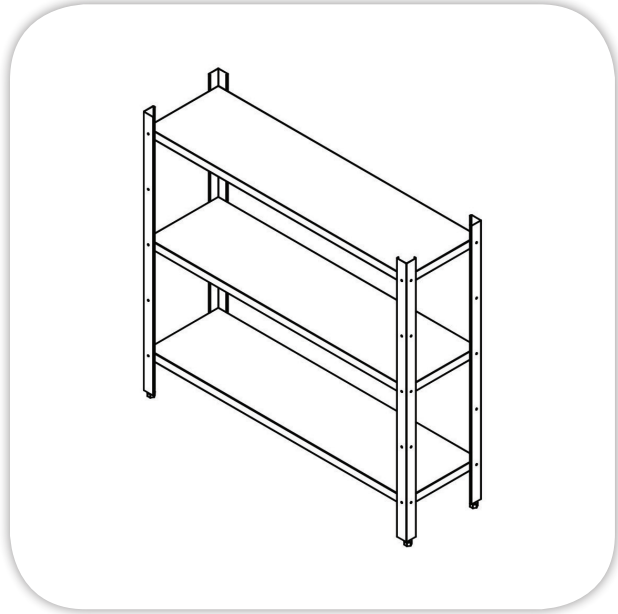
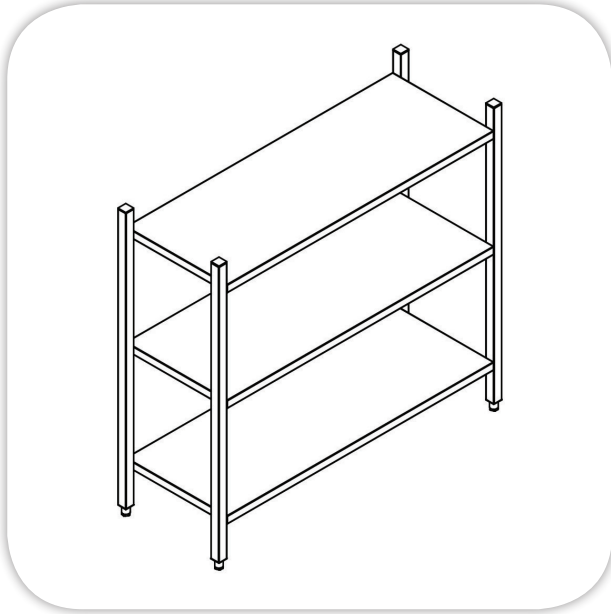


SHELVING UNIT

Three (3) adjustable Flat Shelves

Item:



SPECIFICATIONS:

Body: Stainless Steel Construction adjustable Three (3) Stainless Steel (304) **Flat Shelves**, thickness 1.25 mm.

Up Rights, Stainless Steel, with adjustable leveling feet.

Angle Section, 50 X 50 mm

Models with (L)

Square Section, 40 X 40 mm

Models with (S)

TECHNICAL DATA:

MODEL	Dimensions (mm)		
	L	W	H
MFP04-04-L/90/40	900	400	1280
MFP04-04-L/90/50	900	500	1280
MFP04-04-L/115/40	1150	400	1280
MFP04-04-L/115/50	1150	500	1280
MFP04-04-L/140/40	1400	400	1280
MFP04-04-L/140/50	1400	500	1280

MODEL	Dimensions (mm)		
	L	W	H
MFP04-04-S/90/40	900	400	1280
MFP04-04-S/90/50	900	500	1280
MFP04-04-S/115/40	1150	400	1280
MFP04-04-S/115/50	1150	500	1280
MFP04-04-S/140/40	1400	400	1280
MFP04-04-S/140/50	1400	500	1280

Masria, In Line with its policy to continually improve its quality, reserves the right to change specs without notice.

+202 44812326/8

masria@masria.com

masriagroup

+201 001609002/10

www.masria.com

masriagr

