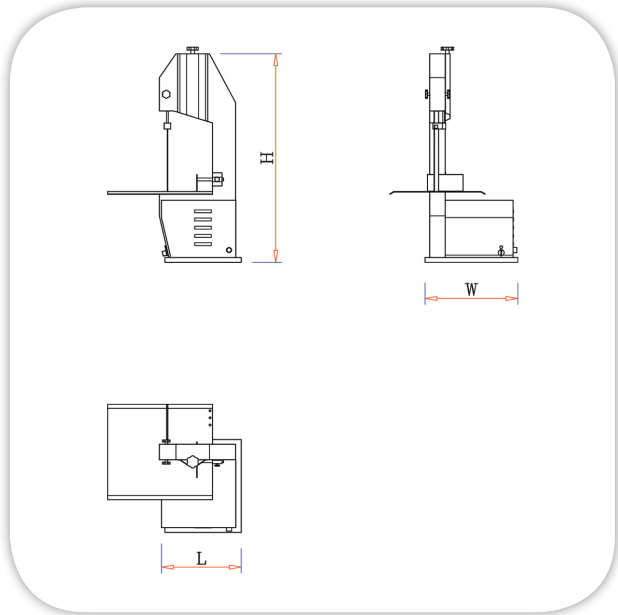
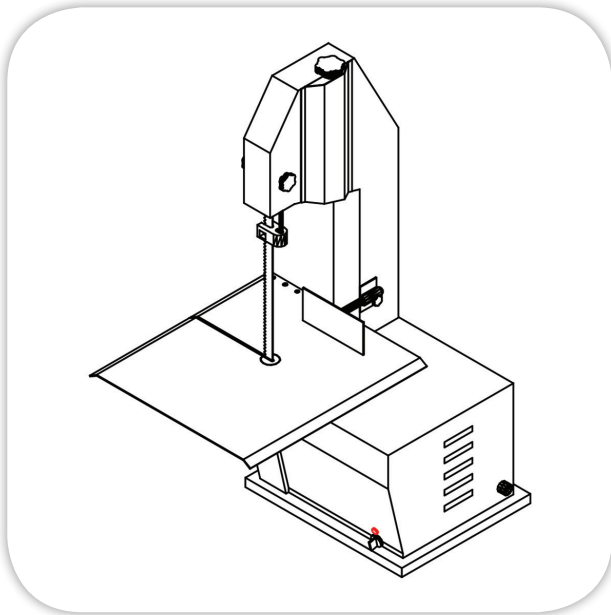


# MEAT SAW

Item: .....  
.....



MFP



## SPECIFICATIONS:

**Body:** Stainless steel (304) construction, table mounted.

**Blade:** 1830 mm long

**Motor:** 1 HP, single phase

**Available upon request:** 3 phase

## TECHNICAL DATA:

MODEL	Dimensions (mm)		
	L	W	H
MBW-1830	380	340	910

Masria, In Line with its policy to continually improve its quality, reserves the right to change specs without notice.

+202 44812326/8

masria@masria.com

masriagroup

+201 001609002/10

www.masria.com

masriagr

